

ARM Cortex<sup>®</sup>-M  
32-bit Microcontroller

NuMicro<sup>™</sup> Family  
NuTiny-SDK-NUC505  
User Manual

*The information described in this document is the exclusive intellectual property of Nuvoton Technology Corporation and shall not be reproduced without permission from Nuvoton.*

*Nuvoton is providing this document only for reference purposes of NuMicro microcontroller based system design. Nuvoton assumes no responsibility for errors or omissions.*

*All data and specifications are subject to change without notice.*

For additional information or questions, please contact: Nuvoton Technology Corporation.

[www.nuvoton.com](http://www.nuvoton.com)

**Table of Contents**

1 OVERVIEW ..... 4

2 NUTINY-SDK-NUC505 INTRODUCTION..... 5

2.1 NuTiny -SDK-NUC505 Jumper Description ..... 6

2.1.1 Power Setting..... 6

2.1.2 Debug Connector ..... 7

2.1.3 ICE USB Connector ..... 7

2.1.4 USB Host Connector ..... 7

2.1.5 USB High Device Connector ..... 7

2.1.6 Extended Connector ..... 7

2.1.7 Reset Button ..... 7

2.1.8 RTC wakeup Button ..... 7

2.1.9 Headphone ..... 7

2.1.10 Line..... 7

2.1.11 Power Connector ..... 7

2.2 Pin Assignment for Extended Connector ..... 8

2.3 NuTiny-SDK-NUC505 PCB Placemen ..... 9

3 How to Start NuTiny -SDK-NUC505 on the Keil  $\mu$ Vision<sup>®</sup> IDE ..... 10

3.1 Keil uVision<sup>®</sup> IDE Software Download and Install ..... 10

3.2 Nuvoton Nu-Link Driver Download and Install ..... 10

3.3 Hardware Setup..... 10

3.4 Smpl\_NuTiny-NUC505 Example Program..... 11

4 NuTiny-EVB-NUC505 Schematic..... 13

4.1 NUC505 ..... 13

4.2 RESET and RTC\_WAKEUP Button ..... 14

4.3 Crystal ..... 14

4.3.1 HXT:High Speed Crystal(12 Mhz)..... 14

4.3.2 LXT: Low Speed Crystal(32.768 Khz) ..... 14

4.4 ICE Interface..... 15

4.5 Boot Select..... 16

4.6 USB 2.0 High Speed Device ..... 17

4.6.1 PCB Layer Stack-up..... 17

4.6.2 Through Hole for D+ and D- ..... 17

4.6.3 Signal Trace for D+ and D-..... 18

4.6.4 Others PCB design guideline for USB 2.0- ..... 18

4.7 Power ..... 19

4.8 LED ..... 20

4.9 Micro SDCard Slot ..... 21

4.10 Audio Line In, Headphone out and MIC ..... 22

    4.10.1 Audio Line In ..... 22

    4.10.2 Audio Headphone out ..... 23

    4.10.3 Audio Headphone out ..... 24

5 REVISION HISTORY ..... 25

## 1 OVERVIEW

NuTiny-SDK-NUC505 is the specific development tool for NuMicro NUC505 series. Users can use NuTiny-SDK-NUC505 to develop and verify the application program easily.

NuTiny-SDK-NUC505 includes two portions. One is NuTiny-EVB-NUC505 and the other is Nu-Link-Me. NuTiny-EVB-NUC505 is the evaluation board and Nu-Link-Me is its Debug Adaptor. Thus, users do not need other additional ICE or debug equipment.

The NuMicro™ NUC505 series 32-bit microcontrollers are embedded with ARM® Cortex®-M4F core for consumer and industrial applications which need high computing power and rich communication interfaces.

The ARM® Cortex®-M4F core within NuMicro™ NUC505 series can run up to 100 MHz and support DSP extensions and Floating Point Unit (FPU) function. The NuMicro™ NUC505 series supports 128 Kbytes embedded SRAM with zero-wait state and 2 Mbytes embedded SPI Flash memory, and is equipped with plenty of high performance peripheral devices, such as 24-bit Audio CODEC, USB2.0 High-speed Device, USB2.0 Full-speed Host, and other peripheral.

## 2 NUTINY-SDK-NUC505 INTRODUCTION

NuTiny-SDK-NUC505 uses the NUC505Y013Y as the target microcontroller. Figure 2-1 is NuTiny-SDK-NUC505 for NUC505 series, the left portion is called NuTiny-EVB-NUC505 and the right portion is Debug Adaptor called Nu-Link-Me.

NuTiny-EVB-NUC505 is similar to other development boards. Users can use it to develop and verify applications to emulate the real behavior. The on board chip covers NUC505 series features. The NuTiny-EVB-NUC505 can be a real system controller to design users' target systems, supports usb high speed interface, audio headphone out, audio line in and sdcad slot.

Nu-Link-Me is a Debug Adaptor. The Nu-Link-Me Debug Adaptor connects your PC's USB port to your target system (via Serial Wired Debug Port) and allows you to program and debug embedded programs on the target hardware. To use Nu-Link-Me Debug adaptor with IAR or Keil, please refer to "Nuvoton NuMicro™ IAR ICE driver user manual" or Nuvoton NuMicro™ Keil ICE driver user manual" in detail. These two documents will be stored in the local hard disk when the user installs each driver.

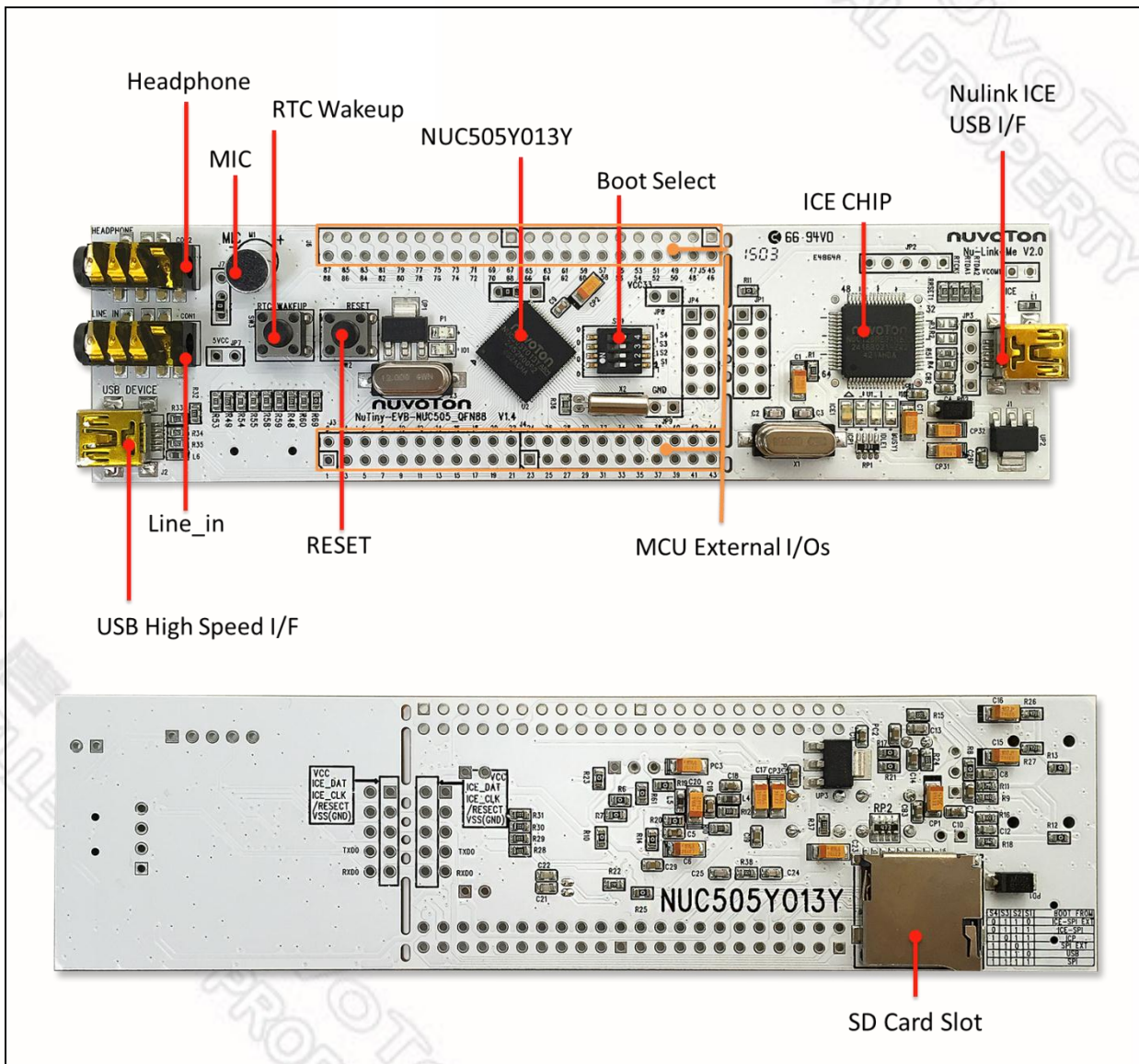


Figure 2-1 NuTiny-SDK-NUC505 (PCB Board)

## 2.1 NuTiny -SDK-NUC505 Jumper Description

NuTiny-SDK-NUC505 is the specific development tool for NuMicro NUC505 series. Users can use NuTiny-SDK-NUC505 to develop and verify the application program easily.

NuTiny-SDK-NUC505 includes two portions. One is NuTiny-EVB-NUC505 and the other is Nu-Link-Me. NuTiny-EVB-NUC505 is the evaluation board and Nu-Link-Me is its Debug Adaptor. Thus, users do not need other additional ICE or debug equipment.

### 2.1.1 Power Setting

- J1: USB port in Nu-Link-Me
- J2: USB port in NuTiny-EVB-NUC505
- JP8: VCC33 Voltage connector in NuTiny-EVB-NUC505
- JP7: P5VCC Voltage connector in NuTiny-EVB-NUC505

POWER model	J1 USB port	J2 USB port	JP7 P5VCC	JP8 VCC33
Model 1	Connect to PC USB	X	X	X
Model 2	X	Connect to PC USB	X	X
Model 3	X	X	External 5V power	X
Model 3	X	X	X	External 3.3V power

X: Unused.

#### Boot Select

S4	S3	S2	S1	BootFrom	Descriptions
0	1	1	0	ICE SPI EXT	ICE Mode with External SPI Flash
0	1	1	1	ICE-SPI	ICE Mode with Internal SPI Flash
1	0	1	1	ICP	Boot from ICP Mode
1	1	0	1	SPI EXT	Boot from External SPI Flash
1	1	1	0	USB	Boot from USB
1	1	1	1	SPI	Boot from Internal SPI Flash

### 2.1.2 Debug Connector

- JP4: Connector in target board (NuTiny-EVB-NUC505) for connecting with Nuvoton ICE adaptor (Nu-Link-Me)
- JP1: Connector in ICE adaptor (Nu-Link-Me) for connecting with a target board (for example NuTiny-EVB-NUC505)

### 2.1.3 ICE USB Connector

- J2: Mini USB Connector in Nu-Link-Me connected to a PC USB port

### 2.1.4 USB Host Connector

- CON3: USB A type Connector in NUC505 USB host function connected to USB device

### 2.1.5 USB High Device Connector

- J4: Mini USB Connector in NUC505 USB device high speed function connected to PC USB port  
(Note) using the USB high speed device need external stable power for JP7

### 2.1.6 Extended Connector

- JP3, JP4, JP5 and JP7: Show all chip pins in NuTiny-EVB-NUC505

### 2.1.7 Reset Button

- SW2: Reset button in NuTiny-EVB-NUC505

### 2.1.8 RTC wakeup Button

- SW3: RTC wakeup button in NuTiny-EVB-NUC505

### 2.1.9 Headphone

- CON2: NUC505 audio headphones connect.

### 2.1.10 Line

- CON1: NUC505 audio line in connect.

### 2.1.11 Power Connector

- JP7: 5 VCC connector in NuTiny-EVB-NUC505
- JP8: 3.3 VCC connector in NuTiny-EVB-NUC505
- JP9: GND connector in NuTiny-EVB-NUC505

## 2.2 Pin Assignment for Extended Connector

NuTiny-EVB-NUC505 provides NUC505YO13Y on board and the extended connector for QFN-88 pin. Table 2-1 is the pin assignment for NUC505YO13Y

Pin No	Pin Name	Pin No	Pin Name	Pin No	Pin Name	Pin No	Pin Name
01	RESETn	23	RTC_VDD33	45	GPB5	67	SAR_VDD33
02	GPD0	24	RTC_RPWR	46	GPB5	68	SAR_VSS33
03	GPD1	25	RTC_RWAKEn	47	GPB6	69	GPA0
04	GPB13	26	RTX_XIN	48	GPB7	70	GPA1
05	GPB14	27	RTC_XOUT	49	UD_CDET	71	GPA2
06	GPB15	28	GPA8	50	GPB8	72	GPA3
07	GPB15	29	GPA9	51	GPB9	73	GPA4
08	GPC1	30	GPA10	52	VDD33	74	GPA5
09	GPC2	31	GPA11	53	HP_VDD33	75	GPA6
10	VDD33	32	GPA12	54	LHP_OUT	76	GPA7
11	GPC3	33	GPA13	55	VCMBF	77	VDD12
12	GPC4	34	GPA14	56	RHP_OUT	78	GPB10
13	GPC5	35	GPA15	57	HP_VSS33	79	GPB11
14	GPC6	36	GPC7	58	VMID	80	GPB12
15	VDD12	37	GPC8	59	AVDD33	81	VDD33
16	XIN	38	GPC9	60	MIC1P	82	GPC11
17	XOUT	39	GPC10	61	MIC1N	83	GPC12
18	PLL_UD_VDD12	40	VDD33	62	LLINEIN/MICBIAS	84	GPC13
19	UD_DM	41	GPB0	63	VDD12	85	GPC14
20	UD_DP	42	GPB1	64	GPD2	86	AVDD
21	UD_VDD33	43	GPB2	65	GPD3	87	VOUT
22	UD_REXT	44	GPB3	66	GPD4	88	AGND

Table 2-1 Pin Assignment for NUC505YO13Y



### 2.3 NuTiny-SDK-NUC505 PCB Placemen

Users can refer to Figure 2-2 for the NuTiny-SDK-NUC505 PCB placements.

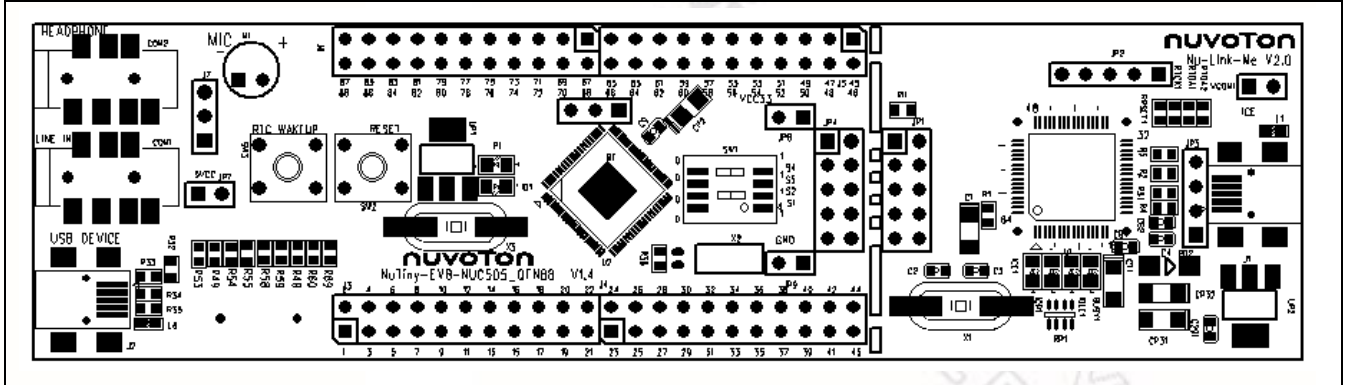


Figure 2-2 NuTiny-SDK-NUC505 PCB Placement

新唐科技 NUVOTON  
INTELLECTUAL PROPERTY

### 3 HOW TO START NUTINY -SDK-NUC505 ON THE KEIL MVISION® IDE

#### 3.1 Keil uVision® IDE Software Download and Install

Please visit the Keil company website (<http://www.keil.com>) to download the Keil  $\mu$ Vision® IDE and install the RVMDK

#### 3.2 Nuvoton Nu-Link Driver Download and Install

Please visit the Nuvoton company NuMicro™ website (<http://www.nuvoton.com/NuMicro>) to download “NuMicro™ Keil  $\mu$ Vision® IDE driver” file. When the Nu-Link driver has been well downloaded, please unzip the file and execute the “Nu-Link\_Keil\_Driver.exe” to install the driver.

#### 3.3 Hardware Setup

The hardware setup is shown as Figure 3-1

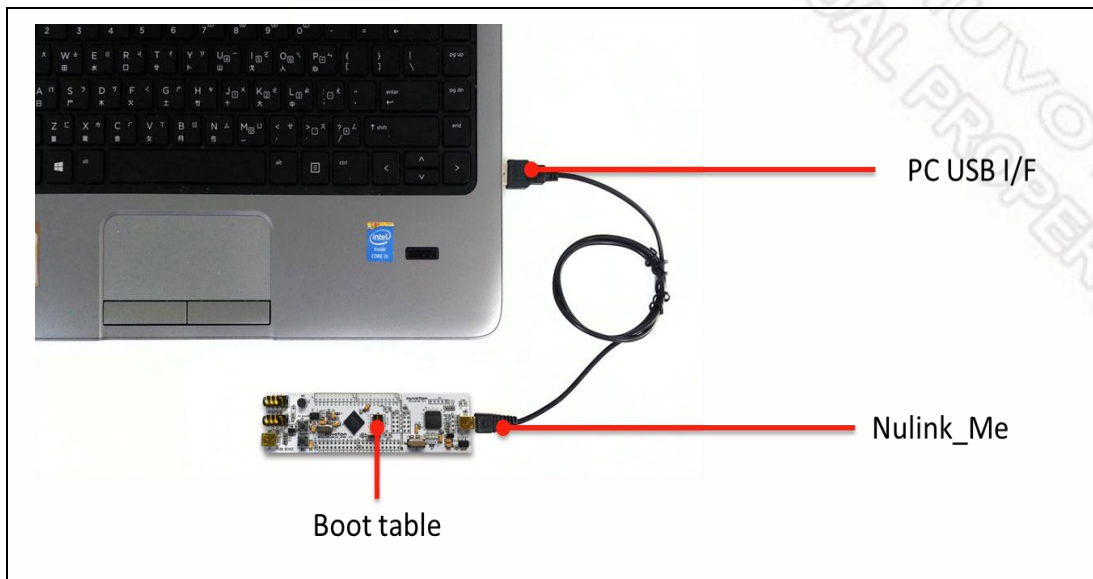


Figure 3-1 NuTiny-SDK-NUC505 Hardware Setup

Boot from ICE-SPI mode to select ICE Mode with Internal SPI Flash

S4	S3	S2	S1	Boot From	Descriptions
0	1	1	0	ICE SPI EXT	ICE Mode with External SPI Flash
0	1	1	1	ICE-SPI	ICE Mode with Internal SPI Flash
1	0	1	1	ICP	Boot from ICP Mode
1	1	0	1	SPI EXT	Boot from External SPI Flash
1	1	1	0	USB	Boot from USB

1	1	1	1	SPI	Boot from Internal SPI Flash
---	---	---	---	-----	------------------------------

### 3.4 Smpl\_NuTiny-NUC505 Example Program

This example demonstrates the ease of downloading and debugging an application on a NuTiny-SDK-NUC505 board. It can be found on Figure 3-2 list directory and downloaded from Nuvoton NuMicro™ website.

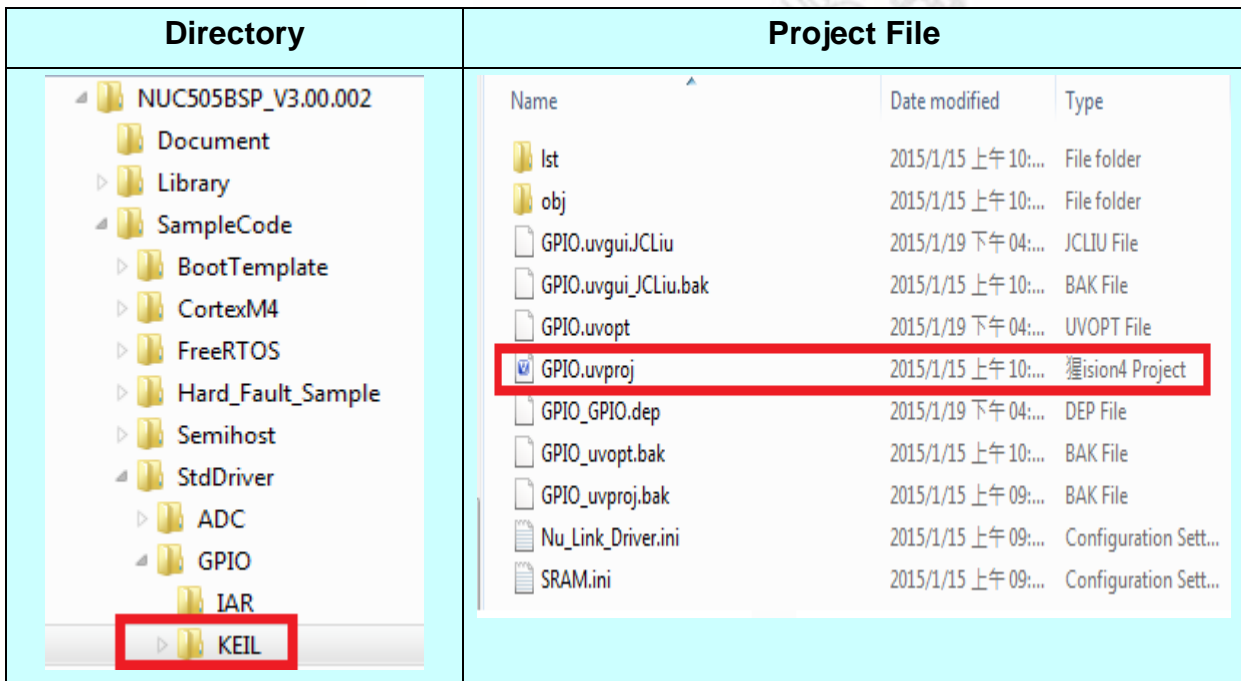








Figure 3-2 Smpl\_NuTiny\_NUC505 Example Directory

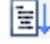
To use this example:

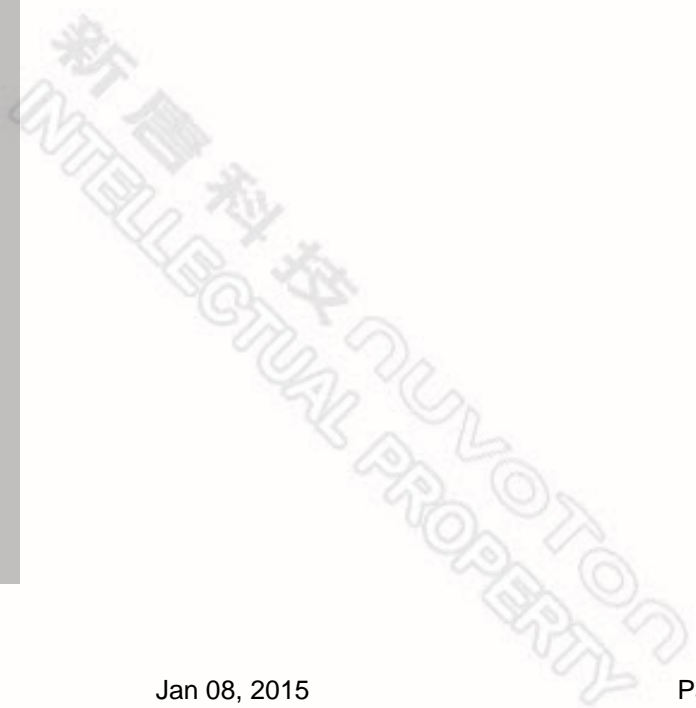
The LED will toggle on the NuTiny-EVB-NUC505 board.

-  **Start µVision®**
- **Project-Open**  
Open the Smpl\_NuTiny.uvproj project file
-  **Project - Build**  
Compile and link the Smpl\_NuTiny application
-  **Start debug mode**  
Using the debugger commands, you may:
  - ◆  Review variables in the watch window
  - ◆  Single step through code

-  **Flash – Download**  
Program the application code into on-chip Flash ROM

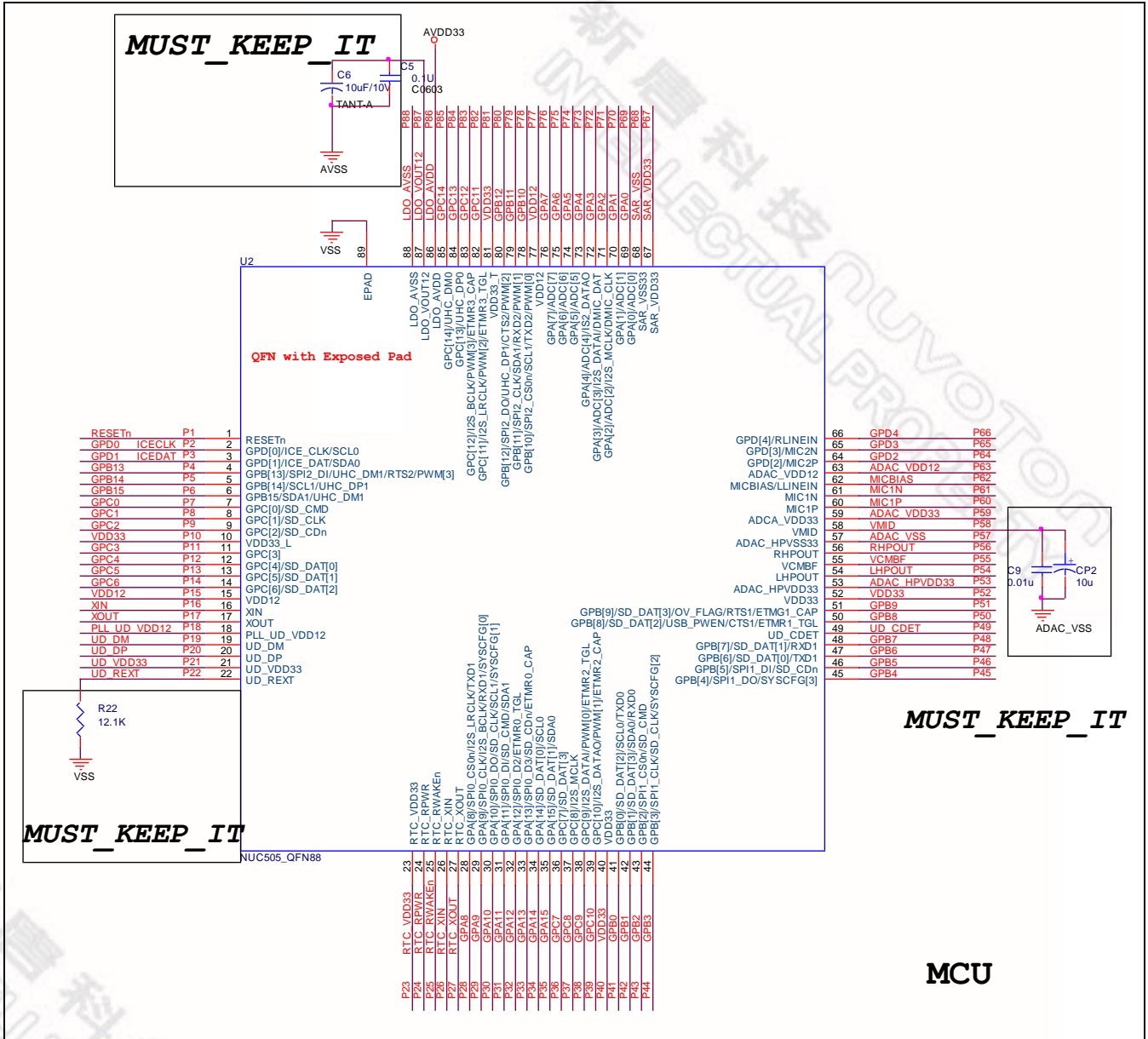
- ◆  **RST** Reset the device

- ◆  Run the application



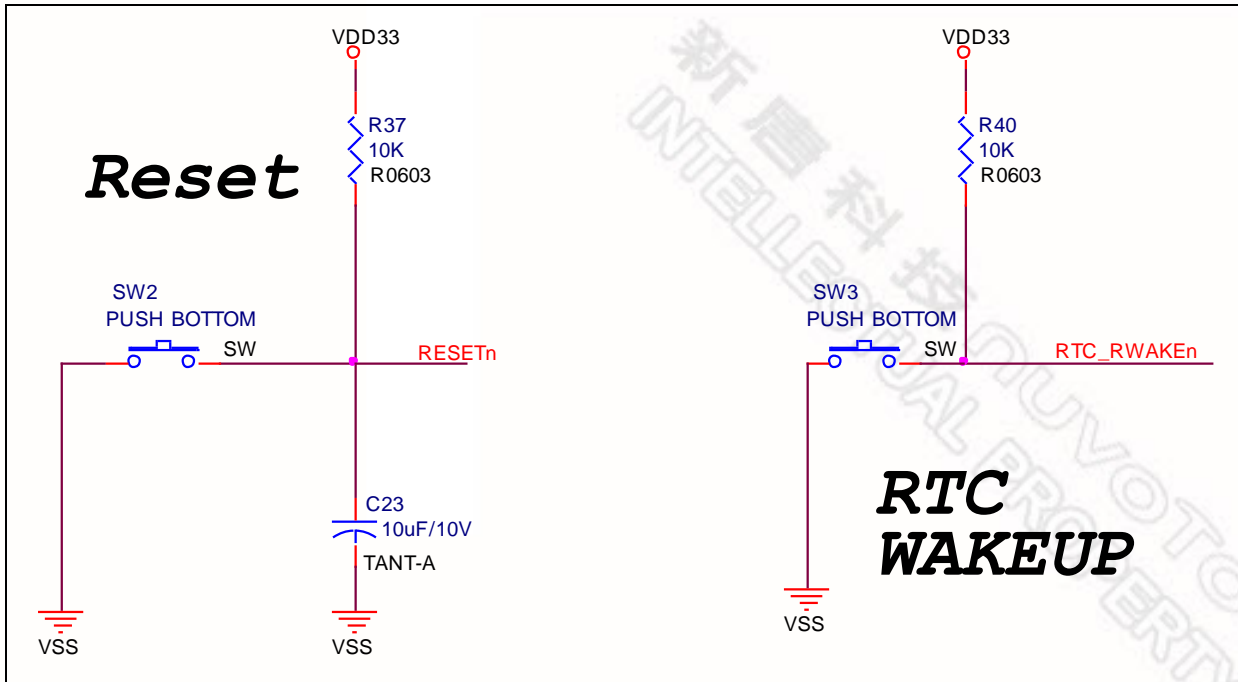
4 NUTINY-EVB-NUC505 SCHEMATIC

4.1 NUC505



## 4.2 RESET and RTC\_WAKEUP Button

The reset need R 10k and C 10uf for reset circuit.



## 4.3 Crystal

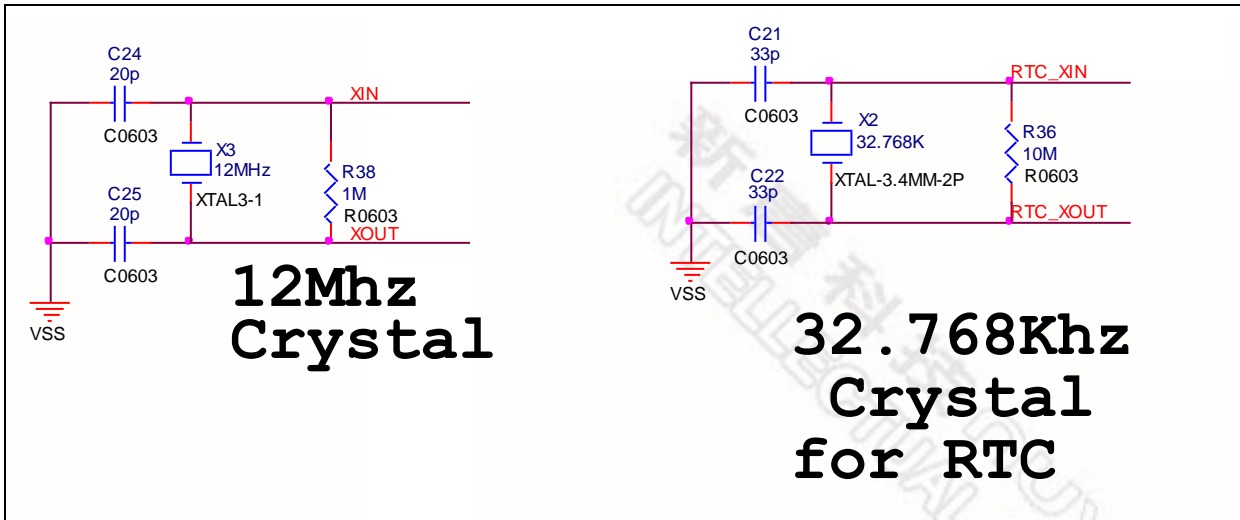
### 4.3.1 HXT:High Speed Crystal(12 Mhz)

For C24 and C25 is recommended to use high-quality ceramic capacitors in the 5pF~20pF range, designed for high-frequency applications and selected to meet the requirements of the crystal or resonator. C24 and C25 are usually the same value. The crystal manufacturer typically specifies a load capacitance that is the series combination of C24 and C25. The PCB and MCU pin capacitances must be included when sizing C24 and C25 (20pF can be used as a rough estimation of the combined pin and board capacitance), external resistor need 1 MHz

### 4.3.2 LXT: Low Speed Crystal(32.768 Khz)

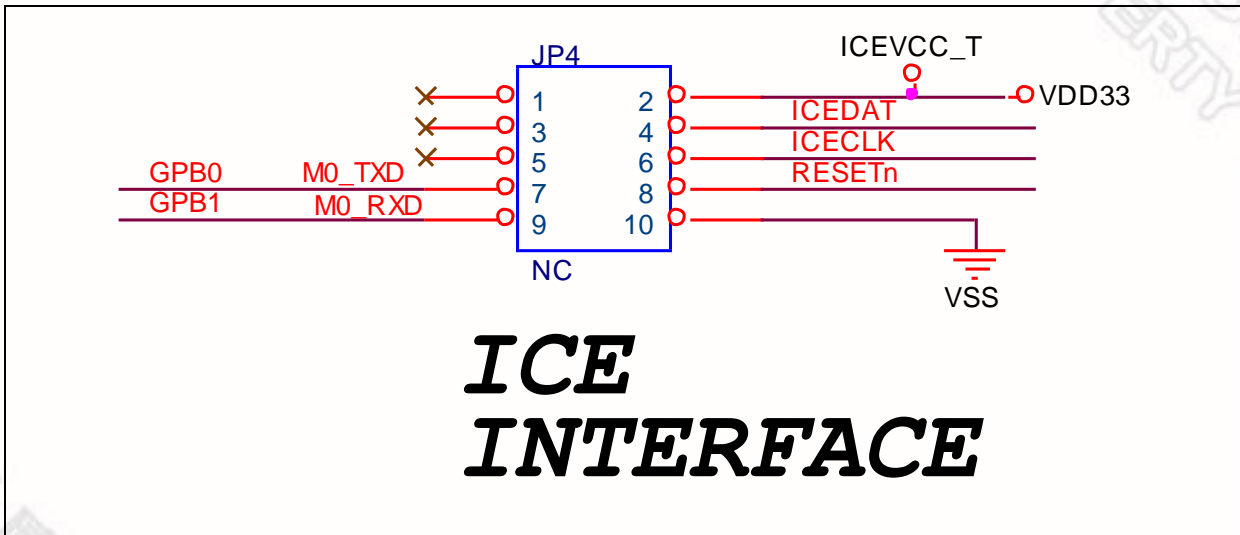
For C21 and C22 is recommended to use high-quality ceramic capacitors in the 5~33 pF range, designed for RTC applications and selected to meet the requirements of the crystal or resonator, external resistor need 10Mhz

Applications requiring oscillators on NUC505 series MCUs must take PCB layout into consideration. The oscillators on NUC505 series MCUs consume very little current, and it sometimes makes the oscillator circuit sensitive to neighboring circuits. The following lists some PCB design guidelines:



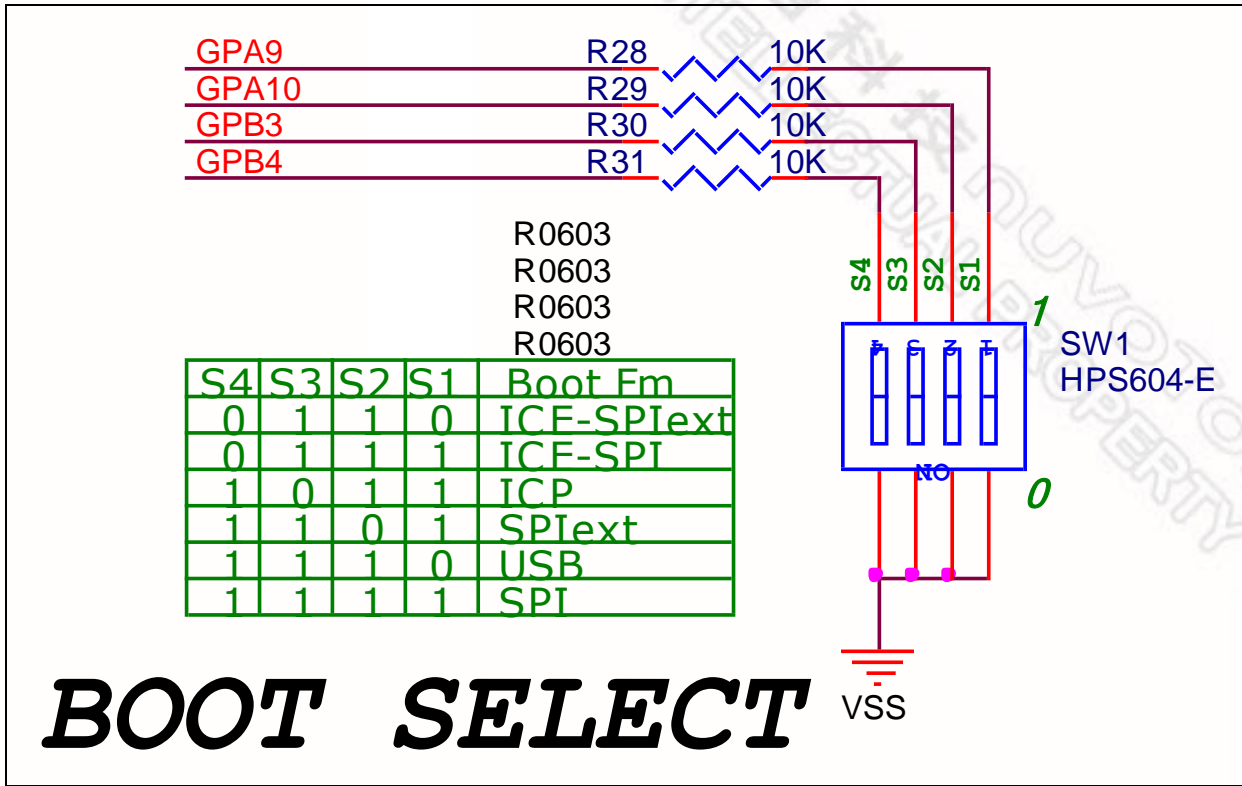
#### 4.4 ICE Interface

For ICE Mode debug or ICP Mode download code to flash



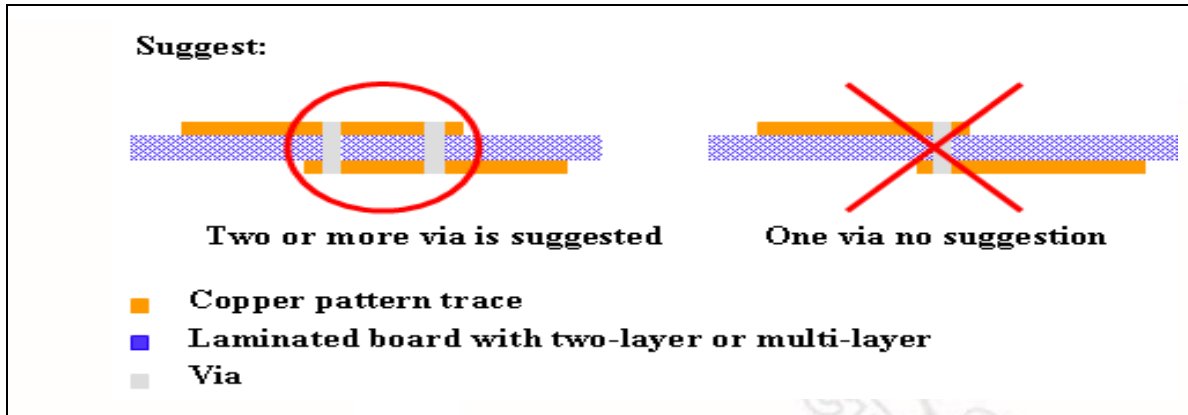
### 4.5 Boot Select

The power-on setting is used to configure the chip to enter the specified state when the chip is powered up or reset. Since each pin of power on setting has an internal pulled-up resistor when in reset period. If the application needs to set the configuration to "0", the proper pull-down resistor of 10KOhm must be added for the corresponding configuration pins.



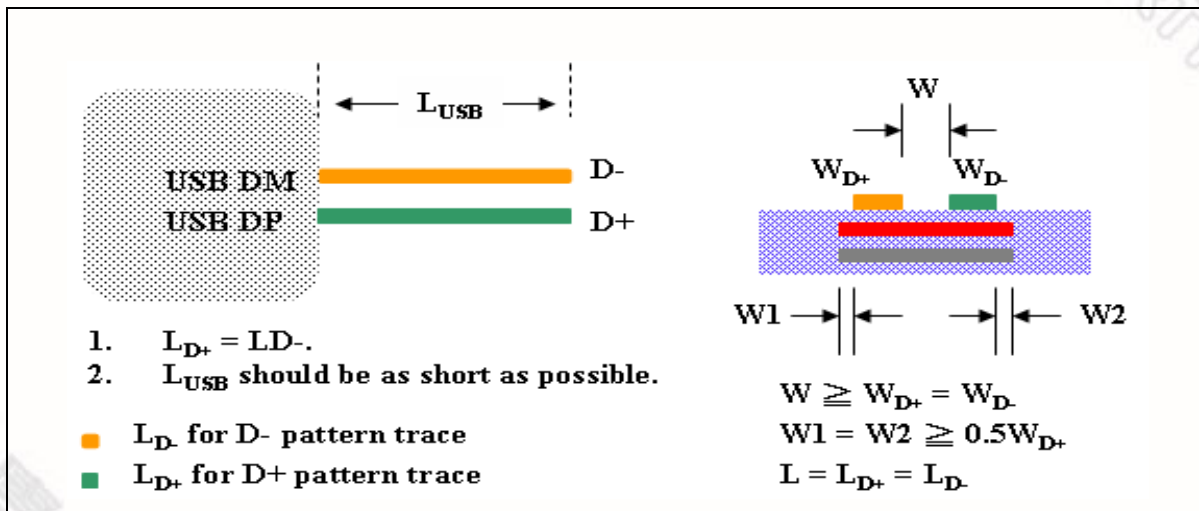






#### 4.6.3 Signal Trace for D+ and D-

To avoid the trace effect signal for the eye diagram, the trace length should be almost the same of D+ and D-. Then, the characteristic impedance should be a symmetrical path for the differential end of the USB port. The characteristic impedance should be  $90 \Omega$  for USB 2.0 high speed. For reducing the trace length, the USB terminal should be as close as the USB port of NUC505 series MCUs.



#### 4.6.4 Others PCB design guideline for USB 2.0-

- Control differential impedance on USB traces (90 Ohms)
- Isolate USB traces from other circuitry and signals
- Keep bulk capacitors for down-stream port's VBUS power close to connectors
- Isolate crystal and oscillator
- Isolate VRES resistor and keep short traces
- Bypass capacitors placed on bottom side to reduce board space

### 4.7 Power

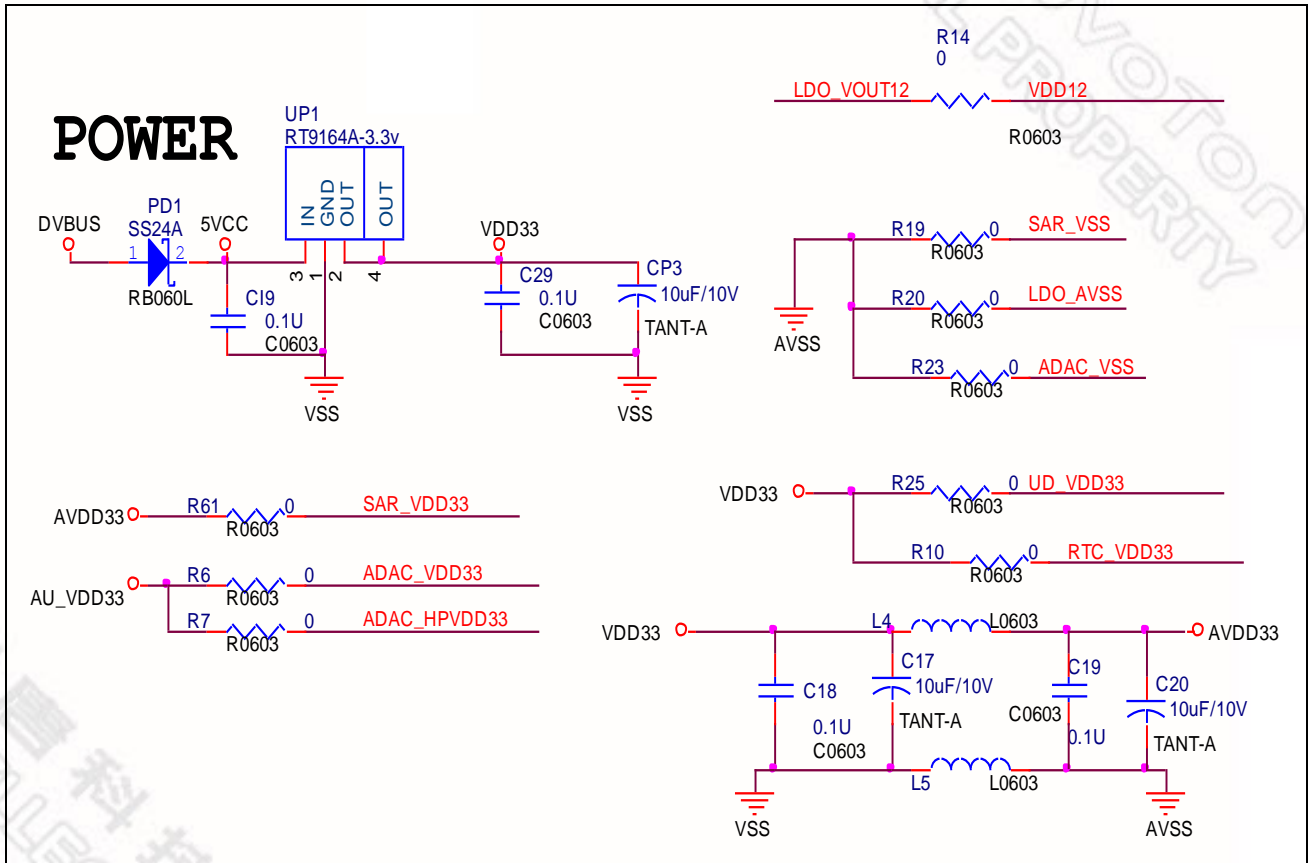
The ADAC\_VDD33, ADAC\_HPVD33, RTC\_VDD33 need stable power in user application, 0 ohm can direct short in user application.

- The VDD pins must be connected to 3.3V with external decoupling capacitors. (a 0.1uF capacitor for each VDD pin and a 1uF capacitor for the whole chip).
- The AVDD pin recommend be connected to two external decoupling capacitors (0.1uF+10nF).

To keep the analog power stable, additional precautions need to be taken to filter analog noise. The following are two suggestions for the board level designing:

- AVDD can be connected to VDD through a ferrite bead.

The RTC\_VDD33 pin also powers the RTC unit, allowing the RTC to operate even when the main digital supply (VDD) is turned off. If no external battery is used in the application, it is highly recommended to connect VBAT pin to VDD with a 0.1uF external decoupling capacitor.

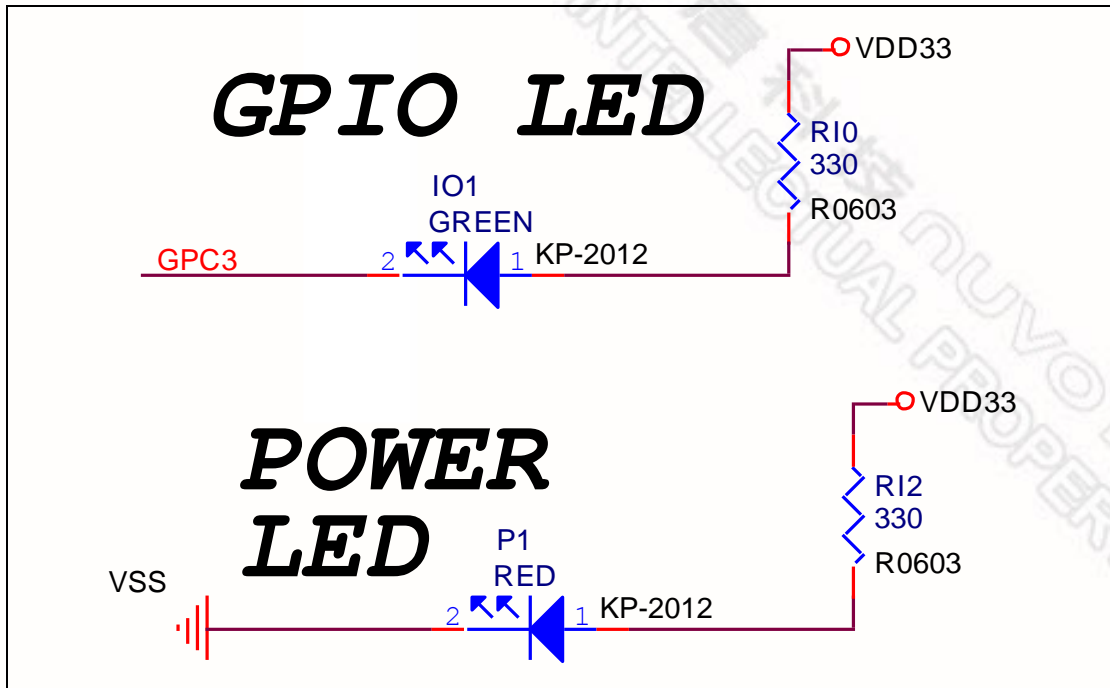


Note: The 0 ohm resistor can short in user application.

**4.8 LED**

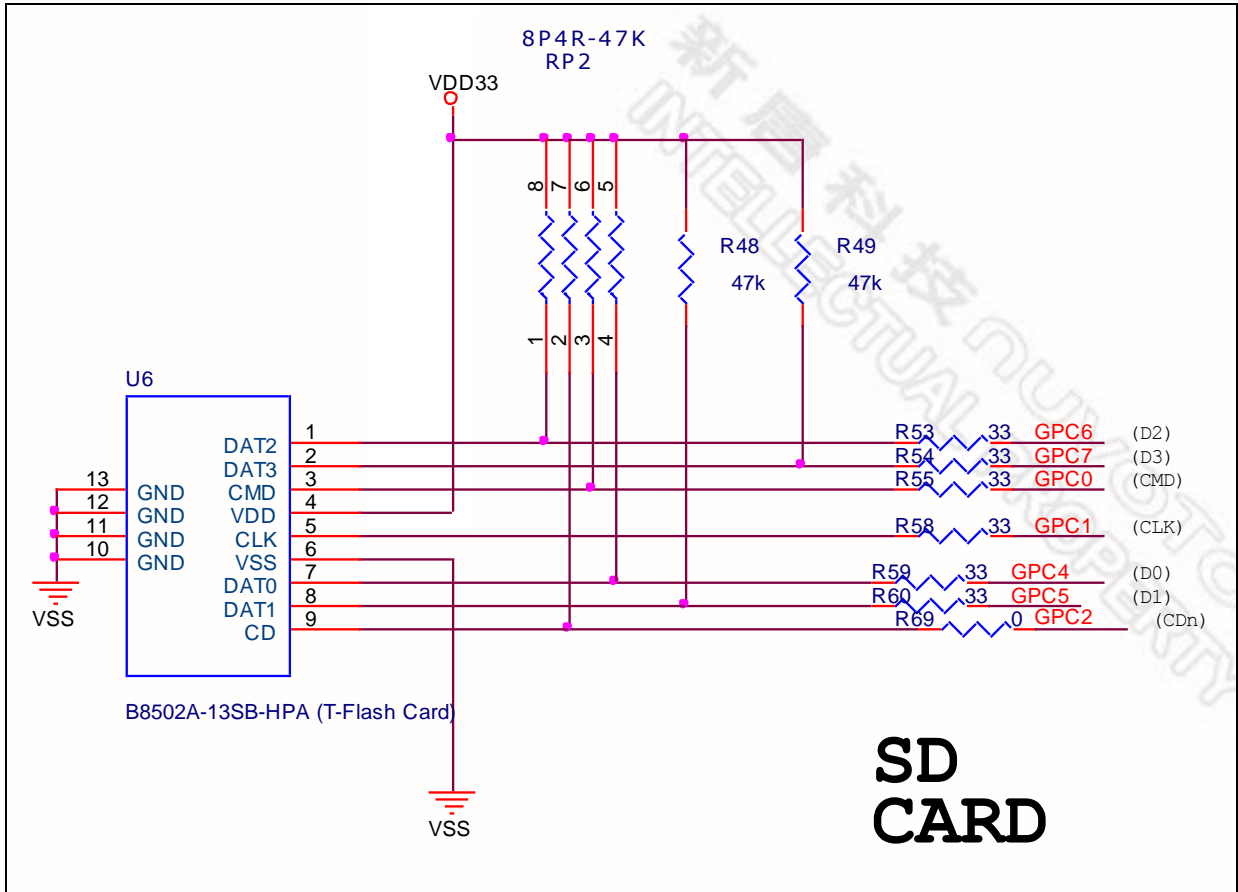
The P1 LED shows when VDD33 has provider.

GPC3 can control IO1 to toggle LED



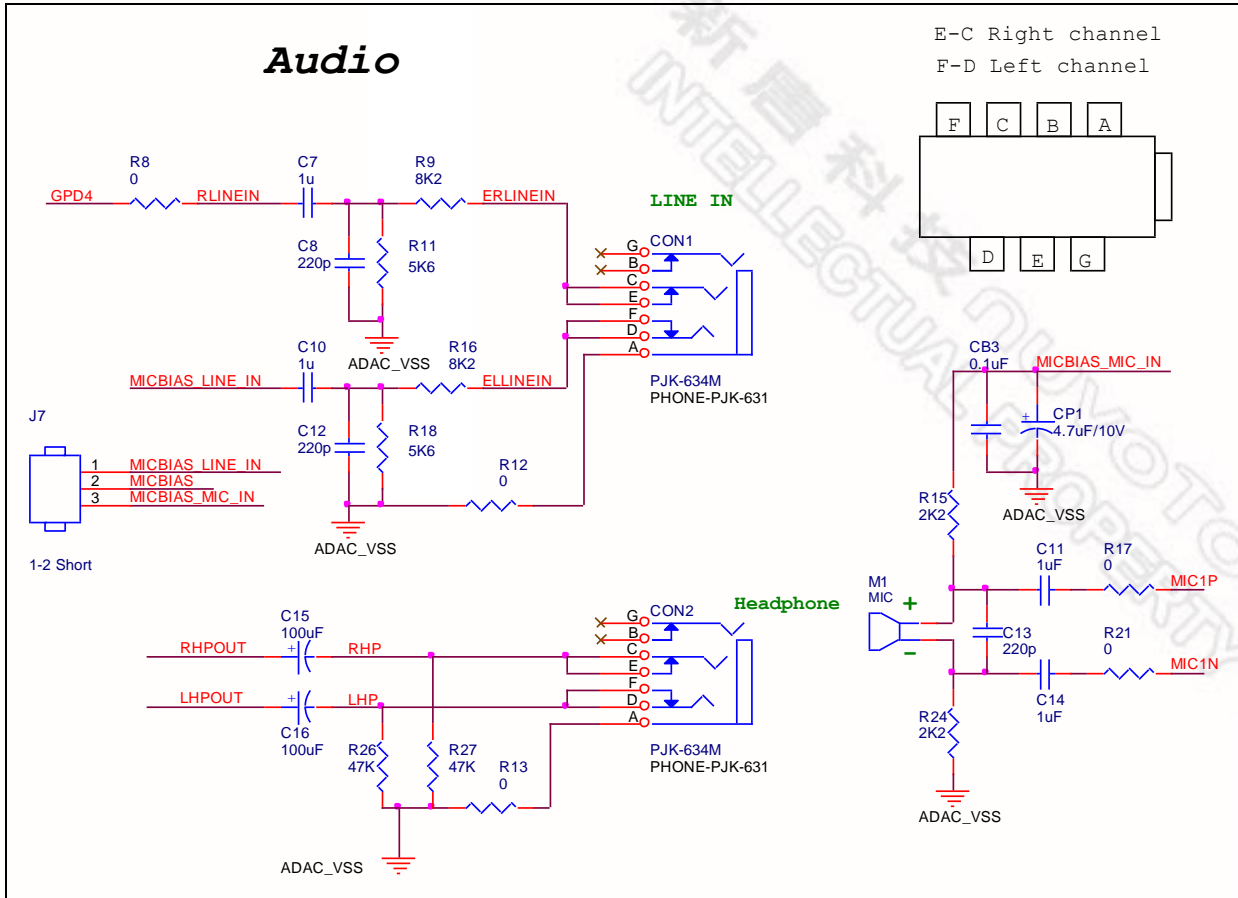
### 4.9 Micro SDCard Slot

U6 is micro SD Card Slot, it is access by SHDC mode, Max clock can run 50 Mhz



### 4.10 Audio Line In, Headphone out and MIC

For audio application, the headphone out for audio out, J7 is bias voltage select for MIC or line in.

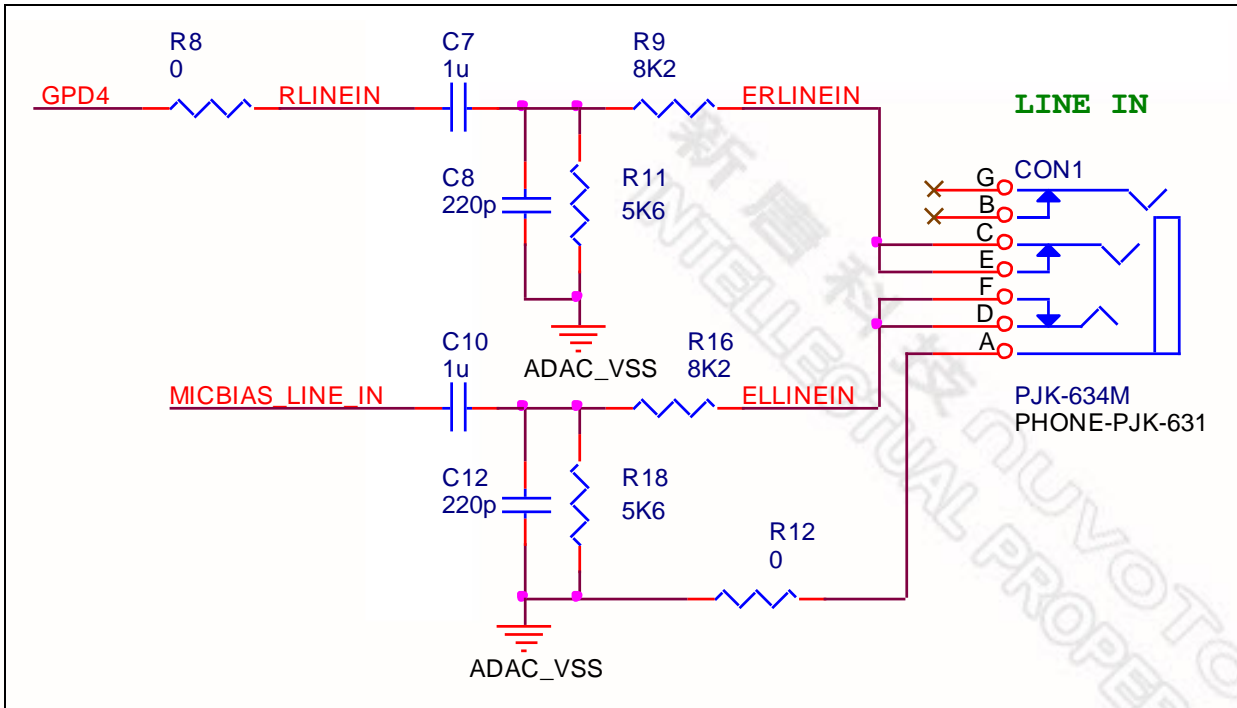


#### 4.10.1 Audio Line In

The device provides left and right channel line-in inputs. The inputs are high impedance, low capacitance AC coupled.

All inputs include independent PGA (programmable gain amplifier) and mute function. Passive RF and active Anti-Alias filters are also incorporated within the line inputs to prevent high frequencies aliasing into the audio band or otherwise degrading performance.

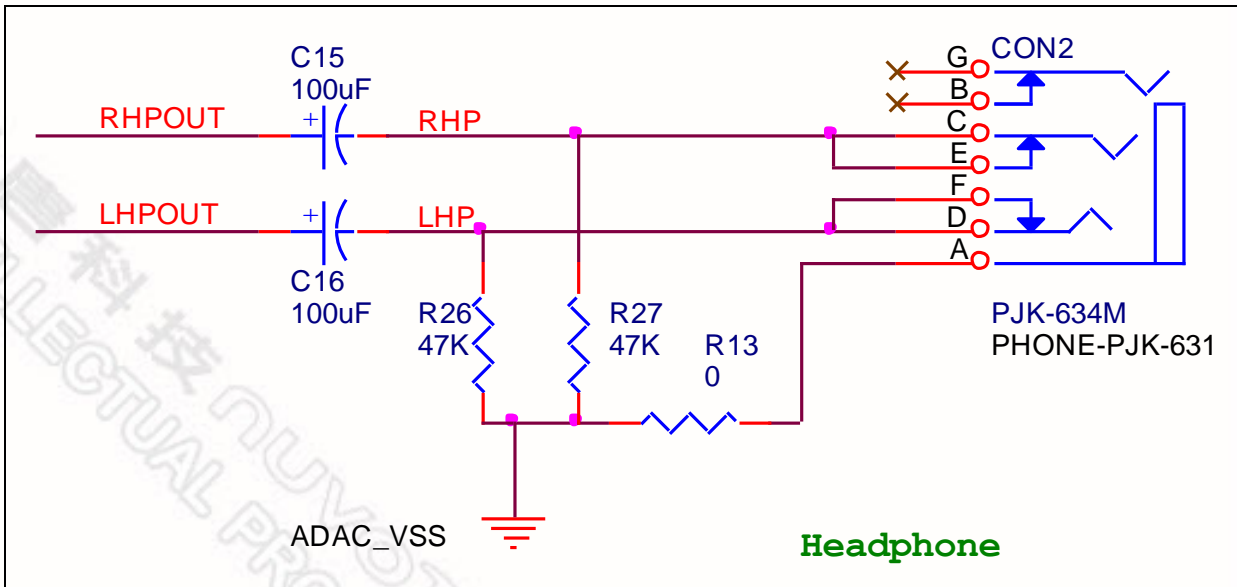
The inputs are biased internally through the operational amplifier to Bias. The external components required to complete the line input application are shown in the following figure.



4.10.2 Audio Headphone out

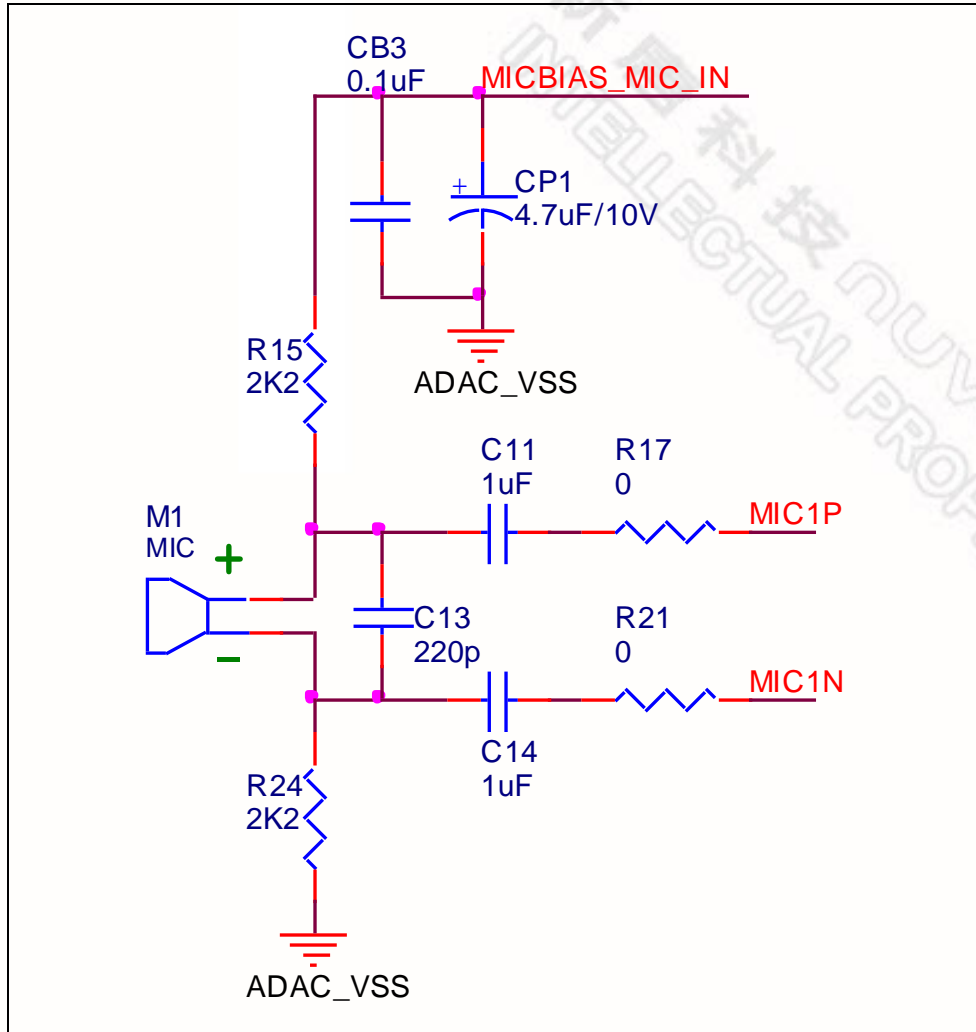
This device provides two low impedance line outputs (LHPOUT and RHPOUT), suitable for driving typical line loads of impedance 10k and capacitance 50pF.

The recommended external components are shown in the figure below:



4.10.3 Audio Headphone out

The device supports 2 types of Microphone inputs that can be either differential or single-ended, The differential mode as shown below.





**5 REVISION HISTORY**

Date	Revision	Description
2015.02.08	1.00	1. Initially issued.



### Important Notice

Nuvoton Products are neither intended nor warranted for usage in systems or equipment, any malfunction or failure of which may cause loss of human life, bodily injury or severe property damage. Such applications are deemed, "Insecure Usage".

Insecure usage includes, but is not limited to: equipment for surgical implementation, atomic energy control instruments, airplane or spaceship instruments, the control or operation of dynamic, brake or safety systems designed for vehicular use, traffic signal instruments, all types of safety devices, and other applications intended to support or sustain life.

All Insecure Usage shall be made at customer's risk, and in the event that third parties lay claims to Nuvoton as a result of customer's Insecure Usage, customer shall indemnify the damages and liabilities thus incurred by Nuvoton.

---

*Please note that all data and specifications are subject to change without notice.  
All the trademarks of products and companies mentioned in this datasheet belong to their respective owners.*