

## ● RF MODULE

- RF Remote Control for Automatic Garage Door Opener, Satellite Dish
- Security Systems

### RSR - USA

Part Number	Channels	Frequency in MHz	Resonant Loss (dB)	Parallel Capacitance (pF)	Temperature Characteristics -10°C to 60°C (PPM/°C)	Figure
RSR-83.00-80-B	5	77.24 ± 0.08	4.0 max	4.5 ± 1	± 7	D
	6	83.24 ± 0.08		4.2 ± 1		
RSR-55.00-80-B	2	55.24 ± 0.08	6.0 max	3.6 ± 1	± 8	D
	3	61.24 ± 0.08		3.7 ± 1		
RSR-61.00-80-S	3	61.24 ± 0.08	5.0 max	4.4 ± 1	± 8	C
	4	67.24 ± 0.08		4.2 ± 1		
RSR-211.00-15-S	13	211.24 ± 0.15	2.7 max	3.0 ± 1	± 8	C

### RSR - EUROPE

Part Number	Channels	Frequency in MHz	Resonant Loss (dB)	Parallel Capacitance (pF)	Temperature Characteristics -10°C to 60°C (PPM/°C)	Figure
RSR-85.00-80-B	4	85.24 ± 0.08	3.0 max	4.2 ± 1	± 5	D
	5	93.24 ± 0.08		4.0 ± 1		
RSR-55.24-80-B	3	55.24 ± 0.08	5.0 max	4.8 ± 1	± 8	D
	4	62.24 ± 0.08		4.8 ± 1		
RSR-77.00-80-S	3	77.24 ± 0.08	4.5 max	3.1 ± 1	± 8	C
	4	85.24 ± 0.08		2.8 ± 1		

### RSR - ASIA

Part Number	Channels	Frequency in MHz	Resonant Loss (dB)	Parallel Capacitance (pF)	Temperature Characteristics -10°C to 60°C (PPM/°C)	Figure
RSR-91.00-80-S	1	91.24 ± 0.08	3.0 max	4.0 ± 1	± 5	C
	2	97.24 ± 0.08		4.0 ± 1		

## ● KEYLESS ENTRY

- RF Remote Control for Automatic Garage Door Opener, Satellite Dish
- Security Systems

### RSR - USA

Part Number	Frequency in MHz	Resonant Loss (dB)	Parallel Capacitance (pF)	Temperature Characteristics -10°C to 60°C (PPM/°C)	Figure
RSR-304.30-250-X	304.30 ± 0.25	2.5 max	4.0 max	±8	A / B / C
RSR-310.00-250-X	310.00 ± 0.25		4.0 max		
RSR-314.00-250-X	314.00 ± 0.25		3.2 max		
RSR-314.50-250-X	314.50 ± 0.25		3.2 max		
RSR-315.00-250-X	315.00 ± 0.25		3.2 max		
RSR-345.00-250-X	345.00 ± 0.25		3.2 max		
RSR-359.90-250-X	359.90 ± 0.25		3.2 max		

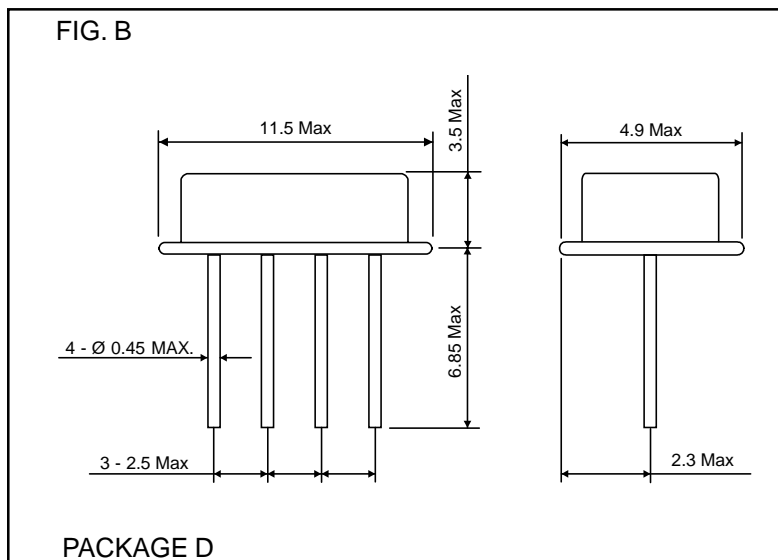
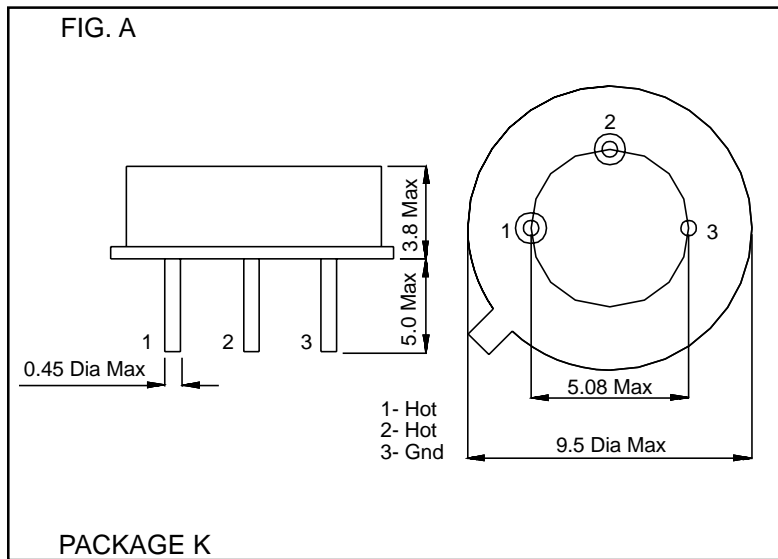
### RSR - EUROPE

Part Number	Frequency in MHz	Resonant Loss (dB)	Parallel Capacitance (pF)	Temperature Characteristics -10°C to 60°C (PPM/°C)	Figure
RSR-417.50-250-X	417.50 ± 0.25	2.5 max	3.2 max	±8	A / B / C
RSR-418.00-250-X	418.00 ± 0.25		3.2 max		
RSR-423.22-250-X	423.22 ± 0.25		3.2 max		
RSR-432.92-250-X	432.92 ± 0.25		3.2 max		
RSR-433.92-250-X	433.92 ± 0.25		3.2 max		
RSR-433.42-250-X	433.42 ± 0.25		3.2 max		

### RSR - ASIA

Part Number	Frequency in MHz	Resonant Loss (dB)	Parallel Capacitance (pF)	Temperature Characteristics -10°C to 60°C (PPM/°C)	Figure
RSR-303.875-250-X	303.875 ± 0.25	2.5 max	4.0 max	± 8	A / B / C
RSR-320.65-250-X	320.65 ± 0.25		3.2 max		
RSR-479.50-250-X	479.50 ± 0.25		2.3 max		

### OUTLINE DRAWINGS



### PART NUMBERING SYSTEM

SERIES	-	FREQUENCY	-	TOLERANCE	-	PACKAGE(x)
RSR		in MHz		in KHz		see below

Example: RSR-433.92-250-K  
 Raltron Saw Resonator, 433.92 MHz, ± 250 KHz,  
 PACKAGE K (FIG. A)

PACKAGE DESIGNATIONS	
K	FIG. A
D	FIG. B
S	FIG. C
B	FIG. D

