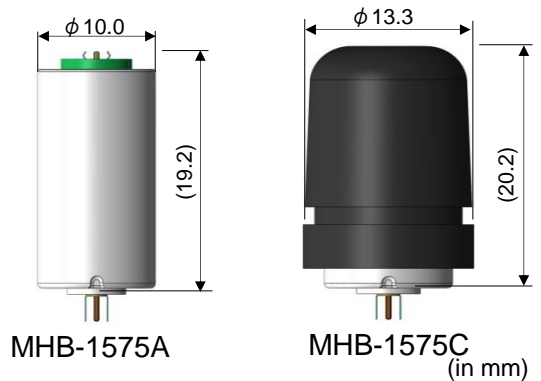


MHB-1575A

L1 (B1, E1) miniture dielectric loaded antenna : 3-pin connection

APPLICATIONS

- Asset Tracking
- Hand Held Devices
- UAV/AUV
- Traffic Enforcement
- Emergency Location
- Seismic Monitors/Measuring
- Wildlife Tracking
- Marine Tracking

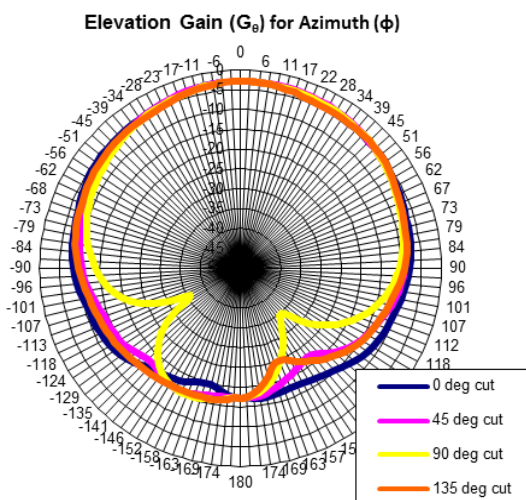


Product Description

The MHB-1575A is breakthrough GPS L1 miniature dielectric-loaded antenna which uses MARUWA's distinctive materials technology to provide circularly-polarized gain from a small volume where the housing environment causes a higher degree of frequency down-tuning. For more tightly integrated applications the alternative MHB-1575A should be selected. This together with the high relative dielectric constant of the core ensures excellent performance in tightly integrated applications.

Key Features

- Designed for installation with 10mm gap from antenna side to host PCB ground-plane
- Filters against interference from cellular and ISM bands
- Balanced design rejects common mode noise from ground plane
- Solder-pad installation to device PCB



Design Specifications	Typical	Units
Frequency	L1 (B1, E1)	MHz
Gain (RHCP)	-3.0	dBic at zenith
Beamwidth	>135	Degrees
Bandwidth	15	MHz
Axial Ratio	<2.0	at zenith
VSWR	<2.0:1	-
Impedance	50	Ohms
Operating Temp	-40→+85	°C
Weight	A: 7, C: 8	grams