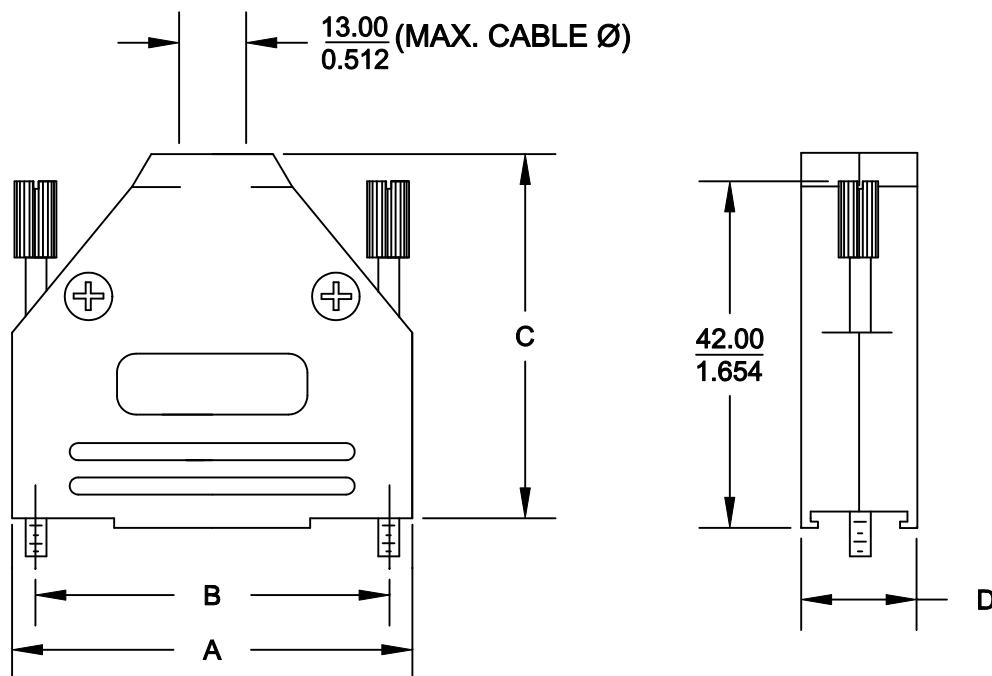


BACKSHELL KIT INCLUDES:

- (2) BACKSHELL HALVES
- (2) 4-40 THUMBSCREWS
- (2) HOUSING SCREWS/NUTS
- (1) SET OF COMPRESSION INSERTS-VARIOUS SIZES
DIAMETERS: 4mm (.157"), 5mm (.197"), 7mm (.276") , 9mm (.354")

DIMENSIONS (mm/in)				
SIZE	A $\pm .25$ $\pm .010$	B $\pm .13$ $\pm .005$	C $\pm .25$ $\pm .010$	D $\pm .25$ $\pm .010$
9	31.20	24.99	39.90	15.00
	1.228	0.984	1.571	0.590
15	39.50	33.32	41.50	15.00
	1.555	1.312	1.634	0.590
25	53.40	47.04	48.60	15.00
	2.102	1.852	1.913	0.590
37	69.70	63.50	53.60	15.00
	2.744	2.500	2.110	0.590



ORDERING INFORMATION:

SIZE:	P/N - KITTED:	PRODUCT CODE:
9-WAY	6560-0108-01	MHDTPPK-9-K
15-WAY	6560-0108-02	MHDTPPK-15-K
25-WAY	6560-0108-03	MHDTPPK-25-K
37-WAY	6560-0108-04	MHDTPPK-37-K

SIZE:	P/N - BULK:	PRODUCT CODE:
9-WAY	6561-0108-01	MHDTPPK-9
15-WAY	6561-0108-02	MHDTPPK-15
25-WAY	6561-0108-03	MHDTPPK-25
37-WAY	6561-0108-04	MHDTPPK-37

PLASTIC: ABS POLYLAC - BLACK - UL RECOGNIZED

JACKSCREWS: STEEL - BLACK OXIDE

M3 HOODSCREWS: STEEL - BLACK OXIDE

COMPRESSION INSERT: ABS UL RECOGNIZED

M3 NUT: STEEL - BLACK OXIDE

OPERATING TEMP: - 55°C TO + 110°C

RoHS COMPLIANT



MH CONNECTORS LTD.

THESE DRAWINGS AND SPECIFICATIONS ARE THE PROPERTY OF MH CONNECTORS LTD. AND SHALL NOT BE REPRODUCED, COPIED OR USED AS THE BASIS FOR THE MANUFACTURE OR SALE OF APPARATUS WITHOUT WRITTEN PERMISSION.

DRAWN		DATE	
P. JENKINS		03-14-12	
APPROVED		DATE	
D. CROFT		03-14-12	
SCALE	SHEET	OF	REV:
NTS	1	1	A
DRAWING No			
MHDTPPK-SERIES			