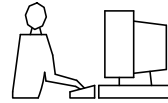


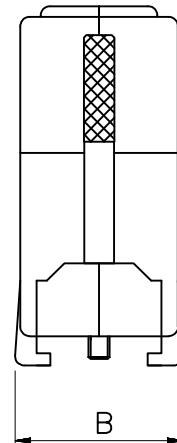
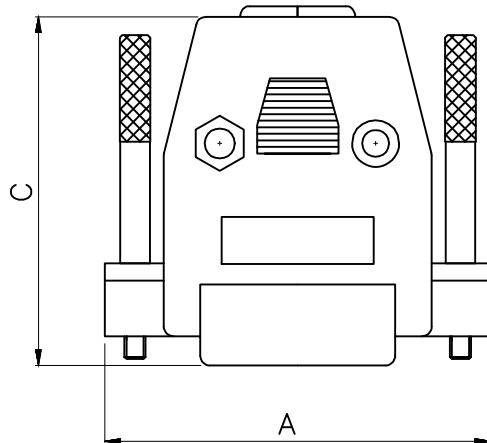
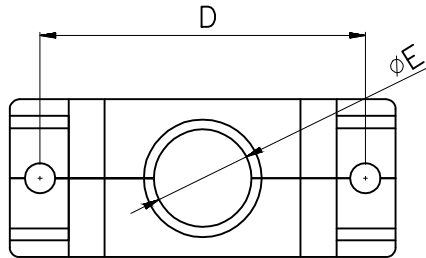
THIS IS A C.A.D. GENERATED DRAWING
DO NOT MAKE MANUAL REVISIONS TO MASTER.



* UNLESS OTHERWISE SPECIFIED TOLERANCES
ON DECIMAL IS: ANGLE $\pm 5^\circ$
UNIT: MM

BACKSHELL KIT INCLUDES:

- (2)BACKSHELL HALVES
- (2)HOUSING SCREW
- (2)THUMBSCREW
- (2)CRIMP SCREW
- (2)NUT
- (2)CRIMP



DIMENSIONS(mm/in)					
SIZE	A ± 0.3 ± 0.012	B ± 0.3 ± 0.012	C ± 0.3 ± 0.012	D ± 0.3 ± 0.012	E ± 0.3 ± 0.012
9	31.0	16.0	39.2	24.99	7.0
	1.221	0.630	1.543	0.984	0.276
15	39.6	17.3	35.8	33.3	10.0
	1.559	0.681	1.410	1.311	0.394
25	54.2	16.8	42.0	47.1	11.0
	2.134	0.662	1.654	1.854	0.433
37	69.0	20.0	51.0	63.5	13.8
	2.717	0.787	2.008	2.500	0.543
50	69.5	19.2	43.9	61.0	17.7
	2.736	0.756	1.729	2.402	0.697

ORDERING INFORMATION - LONG JACKSCREWS

SIZE	P/N - KITTED	PRODUCT CODE BLACK
9-WAY	2360-0102-21	MHCCOV 9-SCL-BK
15-WAY	2360-0102-22	MHCCOV15-SCL-BK
25-WAY	2360-0102-23	MHCCOV25-SCL-BK
37-WAY	2360-0102-24	MHCCOV37-SCL-BK
50-WAY	2360-0102-25	MHCCOV50-SCL-BK

ORDERING INFORMATION - LONG JACKSCREWS

SIZE	P/N - KITTED	PRODUCT CODE LIGHT GREY
9-WAY	2360-0102-31	MHCCOV 9-SCL-LG
15-WAY	2360-0102-32	MHCCOV15-SCL-LG
25-WAY	2360-0102-33	MHCCOV25-SCL-LG
37-WAY	2360-0102-34	MHCCOV37-SCL-LG
50-WAY	2360-0102-35	MHCCOV50-SCL-LG

BACKSHELL: ABS UL94HB
 SCREW: STEEL, NICKEL PLATED
 NUT: STEEL, NICKEL PLATED
 CRIMP: STEEL, NICKEL PLATED
 BACKSHELL COLOUR: BK=BLACK LG=GREY

THESE DRAWINGS AND SPECIFICATIONS ARE THE PROPERTY OF MH CONNECTORS LTD. AND SHALL NOT BE REPRODUCED, COPIED OR USED AS THE BASIS FOR THE MANUFACTURE OR SALE OF APPARATUS WITHOUT WRITTEN PERMISSION.

DRAWN HALEY		DATE 06-20-14
APPROVED DAMIEN		DATE 06-23-14
SCALE	SHEET OF 1 OF 1	REV: 7.0
DRAWING No MHCCOVXX-SCL-BK/LG		



THIS SERIES FULLY CONFORMS TO THE EUROPEAN UNION DIRECTIVES 2002/95/EC AND 2002/96/EC FOR RoHS COMPLIANCY.



MH CONNECTORS LTD.