

LED Spot Lamp

TLL-M16-061-XX

Features:

- Spot Lamp Series MR16
- Product Number : TLL-M16-061-XX
- Led quantity : 18pcs/20pcs
- Voltage : 12V/110V/220-240V
- Color : Red/ yellow/ blue/ green/ white/ orange/ purple
- Base : GU5.3
- Life time : 50000 hours
- Weight : 0.13KGS/pcs



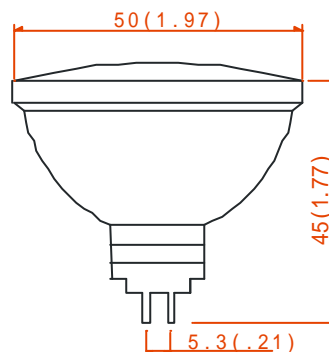
Applications

widely used in Super Market, Hotel, Tavern, Night Club, Disco Hall, Karaoke Room, Coffee House, Bank, Meeting Room, Exhibition Hall, Exhibition Wardrobe, Show Window, Living House.

Electrical-optical characteristics (Ta=25°C)

Part Number	LED#	Color	Voltage	Watts (W)	Brightness (LM)	Life (H)	Base
TLL-M16-061-R18	18	Red	12/110/220	1.5	11	50000	Gu5.3
TLL-M16-061-Y18	18	Yellow	12/110/220	1.5	12	50000	Gu5.3
TLL-M16-061-B18	18	Blue	12/110/220	1.5	12	50000	Gu5.3
TLL-M16-061-G18	18	Green	12/110/220	1.5	23	50000	Gu5.3
TLL-M16-061-W18	18	White	12/110/220	1.5	29	50000	Gu5.3
TLL-M16-061-R20	20	Red	12/110/220	1.6	12	50000	Gu5.3
TLL-M16-061-Y20	20	Yellow	12/110/220	1.6	14	50000	Gu5.3
TLL-M16-061-B20	20	Blue	12/110/220	1.6	14	50000	Gu5.3
TLL-M16-061-G20	20	Green	12/110/220	1.6	27	50000	Gu5.3
TLL-M16-061-W20	20	White	12/110/220	1.6	33	50000	Gu5.3

Drawing



Notes:

1. All dimensions are in millimeters (inches)
2. Tolerance is $\pm 1\text{mm}(0.01\text{'})$ unless otherwise noted.
3. Specifications are subject to change without notice