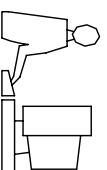


THIS IS A C.A.D. GENERATED DRAWING
DO NOT MAKE MANUAL REVISIONS TO MASTER.



* UNLESS OTHERWISE SPECIFIED TOLERANCES
ON DECIMAL IS: ANGLE ± 1°
.X ± 0.15
.XX ± 0.05

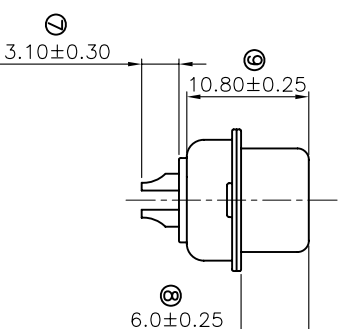
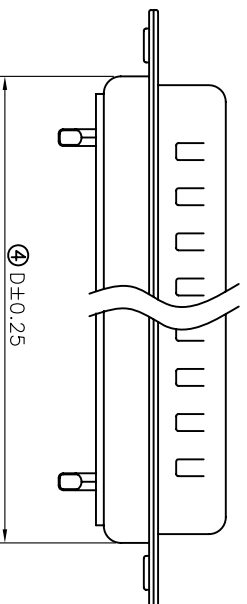
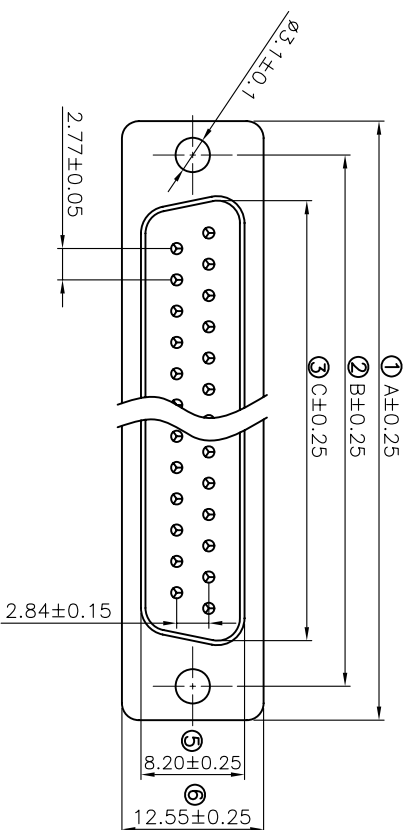
Remark:

1.SPECIFICATION:

Rated voltage:250V
Rates current:5AMP
Contact resistance:20MΩ MAX
Insulation resistance:1000MΩ MIN.at 500V DC
Withstand voltage:500V Per minute
Temperature range:-55 -105°C

2.MATERIAL:

Plastic:PBT+30% G.F (UL94V-0) BLACK
Terminal:brass , tin-gold plated
Spcc shell:Spcc front shell is ni plated back shell is tin plated



PN	PIN	A	B	C	D
MHDB9SP	09	30.81	24.99	16.92	19.28
MHDB15SP	15	39.25	33.32	25.25	27.75
MHDB25SP	25	53.03	47.04	38.96	41.30
MHDB37SP	37	69.50	63.50	55.42	57.40

THESE DRAWINGS AND SPECIFICATIONS ARE THE
PROPERTY OF MH CONNECTORS LTD. AND SHALL NOT
BE REPRODUCED, COPIED OR USED AS THE BASIS FOR
THE MANUFACTURE OR SALE OF APPARATUS WITHOUT
WRITTEN PERMISSION.

DRAWN

Johnny

DATE

07-16-12

APPROVED

DATE

SCALE

1:1

SHEET OF

1 OF 1

REV:

1

MH CONNECTORS LTD.

DRAWING No

MHDB SP



THIS SERIES FULLY CONFORMS TO THE
EUROPEAN UNION DIRECTIVES 2002/95/EC
AND 2002/96/EC FOR RoHS COMPLIANCY.

