

## LED Spot Lamp, High power, 3W

TLL-MR16HT3W-061

### Features:

- Spot Lamp High Power, MR16 base
- Product Number : TLL-MR16HT3W-061-XX
- Led quantity : 3pcs \*1w
- Voltage : 12/110/220
- Color : Red/ yellow/ blue/ green/ white/ orange/ purple
- Life time : 50000 hours
- Weight : 50g/pcs



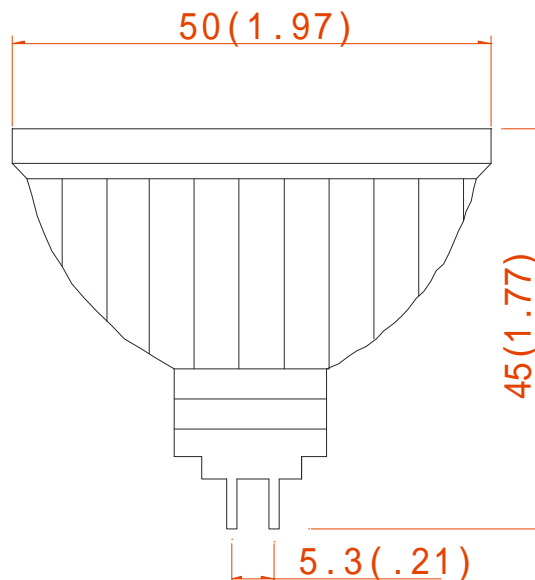
### Applications

widely used in Super Market, Hotel, Tavern, Night Club, Disco Hall, Karaoke Room, Coffee House, Bank, Meeting Room, Exhibition Hall, Exhibition Wardrobe, Show Window, Living House.

### Electrical-optical characteristics (Ta=25°C)

Part Number	LED#	Color	Voltage	Watts	Brightness (LM)	Life	Base	Equal to Conventional Lamp
				(W)		(H)		
TLL-MR16HT3W-061-R	1w*3pcs	Red	12	3	50	50000	MR16	50W
TLL-MR16HT3W-061-Y	1w*3pcs	Yellow	12	3	55	50000	MR16	50W
TLL-MR16HT3W-061-B	1w*3pcs	Blue	12	3	55	50000	MR16	50W
TLL-MR16HT3W-061-G	1w*3pcs	Green	12	3	80	50000	MR16	50W
TLL-MR16HT3W-061-W	1w*3pcs	White	12	3	80	50000	MR16	50W

### Drawing



### Notes:

1. All dimensions are in millimeters (inches)
2. Tolerance is  $\pm 1\text{mm}$  (0.01") unless otherwise noted.
3. Specifications are subject to change without notice