

Bullet Type LED lamp

BL-L522

Features:

- Ø 5mm Round-Helmet Type LED Lamp
- Ø Ultra brightness.
- Ø Choice of various viewing angles.
- Ø Diffused, Transparent and Water clear lens are available.
- Ø IC compatible /Low current capability.
- Ø RoHs Compliance



Electrical-optical characteristics: (Ta=25°C) (Test Condition: IF=20mA)

Part Number	Chip			Lens Type	Forward Voltage(VF) Unit:V		Luminous Intensity (lv) Unit:mcd		Viewing Angle 2θ/2 (deg)
	Emitted Color	Material	λ _p (nm)		Typ	Max	Min.	Typ.	
					Water Clear	15			
BL-L522SRC	Hi Red	AlGaAs,SH	660		1.85	2.20	150	350	
BL-L522LRC	Super Red	AlGaAs,DH	660		1.85	2.20	350	900	
BL-L522URC	Ultra Red	AlGaAs,DDH	660		1.95	2.20	900	1500	
BL-L522UEC	Ultra Orange	AlGaInP	630		2.10	2.50	1000	2500	
BL-L522UYC	Ultra Yellow	AlGaInP	590		2.10	2.50	1000	2200	
BL-L522UGC	Ultra Green	AlGaInP	574		2.20	2.50	400	1000	
BL-L522PGC	Ultra Pure Green	InGaN	525		3.80	4.50	3000	6000	
BL-L522BGC	Ultra Bluish Green	InGaN	505		3.80	4.50	2000	5000	
BL-L522BC	Blue	InGaN	430		3.80	4.50	1200	3000	
BL-L522UBC	Ultra Blue	InGaN	470		2.70	4.20	2200	6000	
BL-L522VC	UV	InGaN	405		3.80	4.50	100	180	
BL-L522UWC	Ultra White	InGaN	/		2.70	4.20	5000	15000	

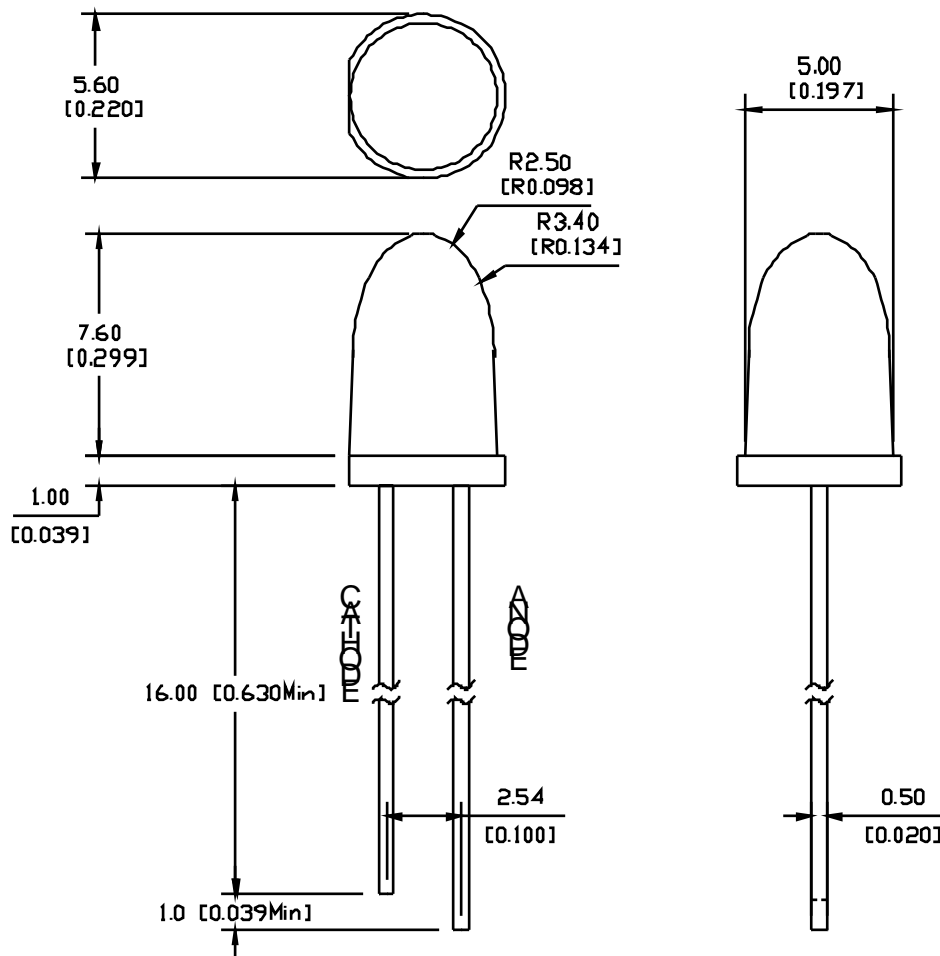
Absolute maximum ratings (Ta=25°C)

Parameter	SR	LR	UR	UE	UY	UG	PG	BG	B	UB	UV	W	Unit
Forward Current I _F	25	25	25	30	30	30	30	30	30	30	30	30	mA
Power Dissipation P _d	60	60	60	65	65	75	110	110	120	120	120	120	mW
Reverse Voltage V _R	5	5	5	5	5	5	5	5	5	5	5	5	V
Peak Forward Current I _{PF} (Duty 1/10 @1KHZ)	150	150	150	150	150	150	150	100	100	100	100	100	mA
Operation Temperature T _{OPR}	-40 to +80												°C
Storage Temperature T _{STG}	-40 to +85												°C
Lead Soldering Temperature T _{SOL}	Max.260±5°C for 3 sec Max. (1.6mm from the base of the epoxy bulb)												°C

Bullet Type LED lamp

BL-L522

Package configuration & Internal circuit diagram



Notes:

1. All dimensions are in millimeters (inches)
2. Tolerance is $\pm 0.25(0.01)$ unless otherwise noted.
3. Specifications are subject to change without notice.

Bullet Type LED lamp

BL-L522

Typical electrical-optical characteristics curves:



- (1) - GaAsP/GaAs 655nm/Red
- (2) - GaP 570nm/Yellow Green
- (3) - GaAsP/GaP 585nm/Yellow
- (4) - GaAsP/GaP 635nm/Orange & Hi-Eff Red
- (5) - GaP 700nm/Bright Red
- (6) - GaAlAs/GaAs 660nm/Super Red
- (8) - GaAsP/GaP 610nm/Super Red
- (9) - GaAlAs 880nm
- (10) - GaAs/GaAs & GaAlAs/GaAs 940nm
- (A) - GaN/SiC 430nm/Blue
- (B) - InGaN/SiC 470nm/Blue
- (C) - InGaN/SiC 505nm/Ultra Green
- (D) - InGaAlSiC 525nm/Ultra Green



FORWARD VOLTAGE (Vf)
FORWARD CURRENT VS.
FORWARD VOLTAGE



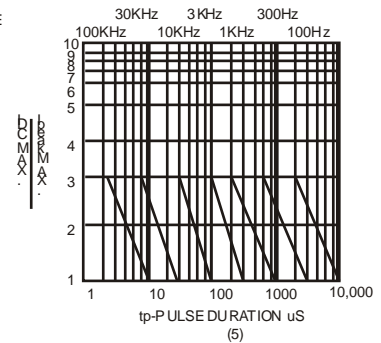
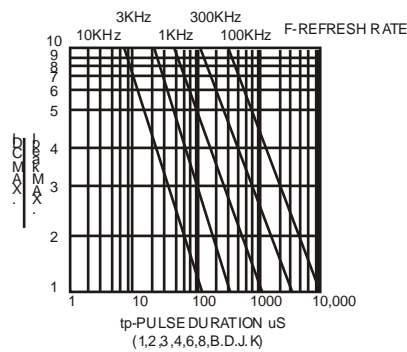
FORWARD CURRENT (mA)
RELATIVE LUMINOUS
INTENSITY VS. FORWARD
CURRENT



AMBIENT TEMPERATURE Ta()
FORWARD CURRENT VS. AMBIENT
TEMPERATURE



AMBIENT TEMPERATURE Ta()



NOTE:25 free air temperature unless otherwise specified

Bullet Type LED lamp

BL-L522

Packing and weighting

