

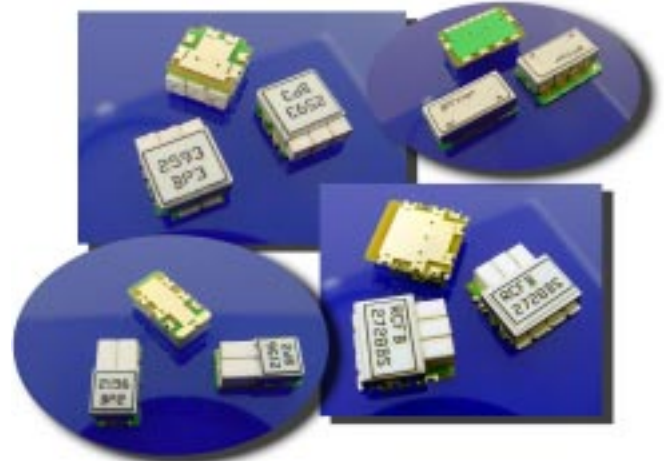
### ● Applications

- Satellite Receivers-Down Converters
- Global Positioning Systems
- Wireless LAN Equipment
- Cellular and Cordless Phones

### ● Features

- Wide Frequency Range of 600 to 2500 MHz
- High Q Resonator
- Excellent Temperature Stability and Attenuation
- Low Insertion Loss
- Custom Designs for Application Specific Products

### RCF and RDX Series

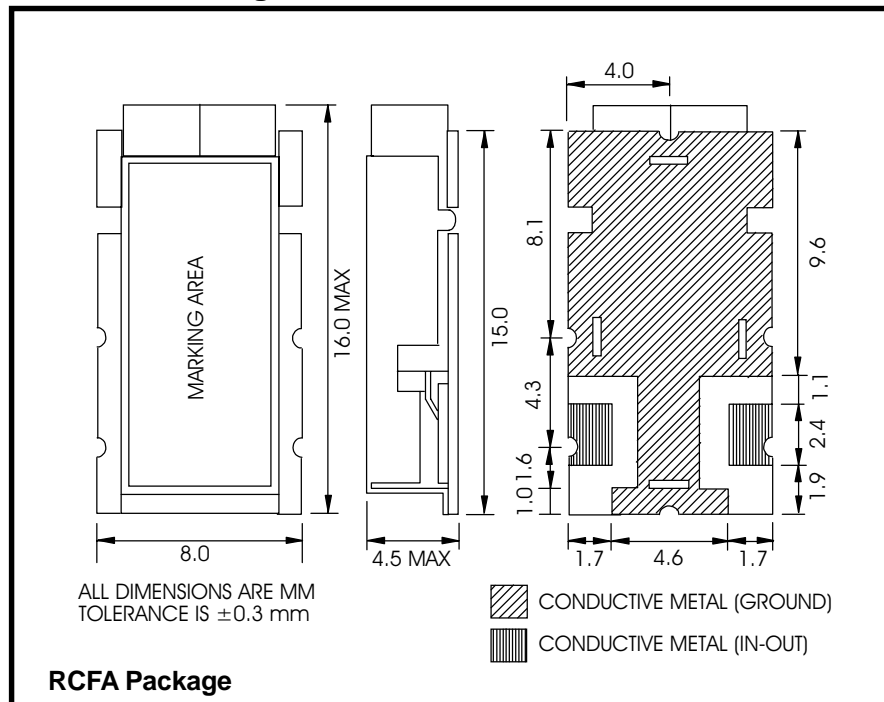


### ● Specifications

#### 2 Pole Bandpass Filter

Part Number	Center Frequency	Bandwidth	Insertion Loss	Ripple (Max)	V.S.W.R (Max)	Attenuation (Min)
RCFA1-836BP2	836.5 MHz	$F_0 \pm 12.5$ MHz	2.2 dB	0.8 dB	2	5 dB at $F_0 \pm 32.5$ MHz
RCFA1-881BP2	881.5 MHz					
RCFA1-841BP2	841.0 MHz	$F_0 \pm 2.0$ MHz	2.5 dB	0.3 dB	2	22 dB at $F_0 \pm 70$ MHz
RCFA1-866BP2	866.0 MHz					
RCFA1-948BP2	948.0 MHz	$F_0 \pm 4.0$ MHz	2.5 dB	0.5 dB	2	6 dB at $F_0 \pm 32.5$ MHz
RCFA1-902BP2	902.5 MHz	$F_0 \pm 12.5$ MHz	2.2 dB	0.8 dB	2	
RCFA1-947BP2	947.5 MHz					
RCFA1-915BP2	915.0 MHz	$F_0 \pm 13.0$ MHz	2.3 dB	1.0 dB	2.5	18 dB at $F_0 \pm 80$ MHz
RCFA1-1575BP2	1575.5 MHz	$F_0 \pm 1.0$ MHz	3.0 dB	0.5 dB	2	18 dB at $F_0 \pm 50$ MHz
RCFA1-1890BP2	1890.0 MHz	$F_0 \pm 10.0$ MHz	1.8 dB	0.5 dB	2	16 dB at $F_0 \pm 160$ MHz

### ● Outline Drawing



### ● Typical Applications for RCFA Series

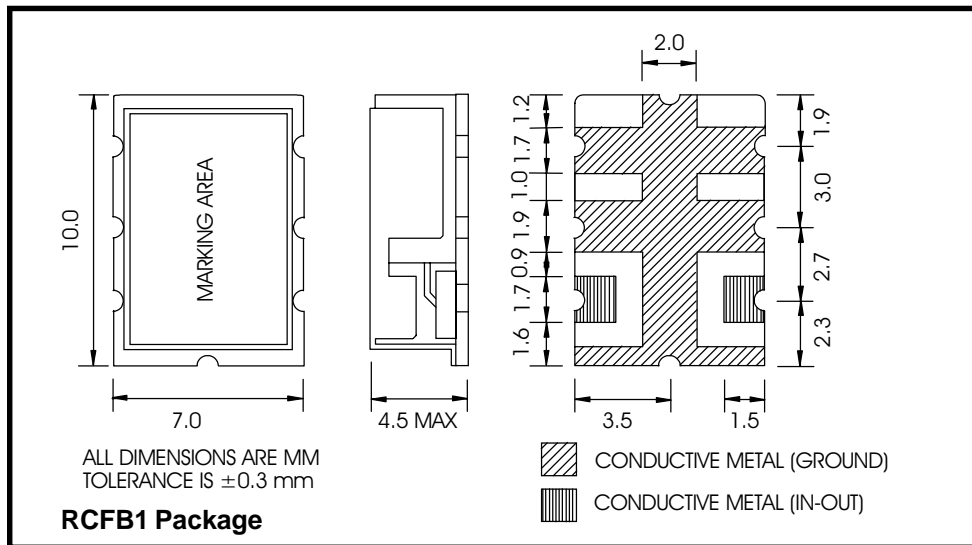
E-Amps  
CT-2  
GSM  
ISM915

### ● Specifications

#### 3 Pole Bandpass Filter

Part Number	Center Frequency	Bandwidth	Insertion Loss (Max)	Ripple (Max)	V.S.W.R (Max)	Attenuation (Min)
RCFB1-815BP3	815.0 MHz	$F_0 \pm 10.0$ MHz	2.8 dB	0.8 dB	2	36 dB @ $F_0 \pm 80$ MHz
RCFB1-860BP3	860.0 MHz					
RCFB1-836BP3	836.5 MHz	$F_0 \pm 12.5$ MHz	3.0 dB	1.0 dB	2	12 dB @ $F_0 \pm 32.5$ MHz
RCFB1-881BP3	881.5 MHz					
RCFB1-841BP3	841.0 MHz	$F_0 \pm 2.0$ MHz	3.0 dB	0.3 dB	2	44 dB @ $F_0 \pm 75$ MHz
RCFB1-866BP3	866.0 MHz					
RCFB1-948BP3	948.0 MHz	$F_0 \pm 4.0$ MHz	3.0 dB	0.5 dB	2	32 dB @ $F_0 \pm 50$ MHz

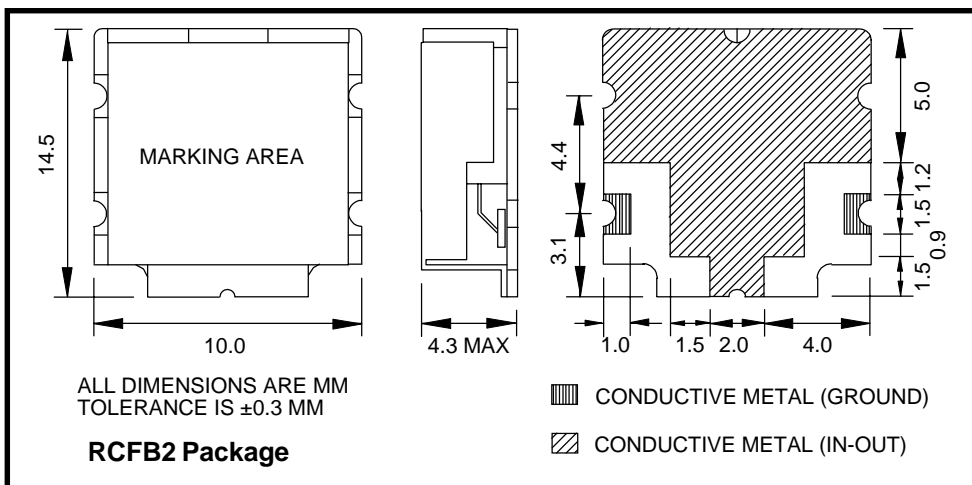
### ● Outline Drawings



### ● Applications for RCFB1

LMR  
E-Amps  
CT-2

Part Number	Center Frequency	Bandwidth	Insertion Loss (Max)	Ripple (Max)	V.S.W.R (Max)	Attenuation (Min)
RCFB2-888BP3	888.5 MHz	$F_0 \pm 16.5$ MHz	3.0 dB	1.3 dB	2	7 dB @ $F_0 \pm 28.5$ MHz
RCFB2-933BP3	933.5 MHz					
RCFB2-902BP3	902.5 MHz	$F_0 \pm 12.5$ MHz	2.6 dB	1.0 dB	2	12 dB @ $F_0 \pm 32.5$ MHz
RCFB2-947BP3	947.5 MHz					
RCFB2-915BP3	915.5 MHz	$F_0 \pm 13.0$ MHz	3.0 dB	1.0 dB	2	12 dB @ $F_0 \pm 32.5$ MHz
RCFB2-897BP3	897.5 MHz					
RCFB2-942BP3	942.5 MHz	$F_0 \pm 17.5$ MHz	3.0 dB	1.3 dB	2	6 dB @ $F_0 \pm 28.5$ MHz



### ● Applications for RCFB2

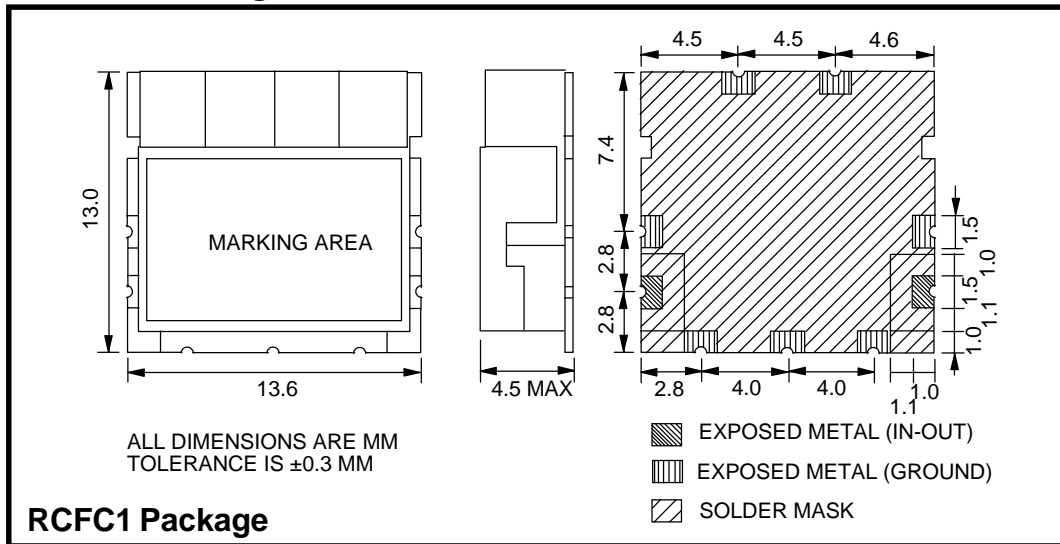
GSM  
E-TACS  
ISM915  
E-GSM

### ● Specifications

#### 4 Pole Bandpass Filter

Part Number	Center Frequency	Bandwidth	Insertion Loss (Max)	Ripple (Max)	V.S.W.R (Max)	Attenuation (Min)
RCFC1-1930BP4	1930.0 MHz	$F_0 \pm 10.0$ MHz	4.5 dB	0.8 dB	2	40 dB @ $F_0 \pm 70$ MHz
RCFC1-2120BP4	2120.0 MHz					
RCFC1-2315BP4	2315.0 MHz	$F_0 \pm 15.0$ MHz	4.5 dB	1.0 dB	1.8	40 dB @ $F_0 \pm 90$ MHz
RCFC1-2385BP4	2385.0 MHz					

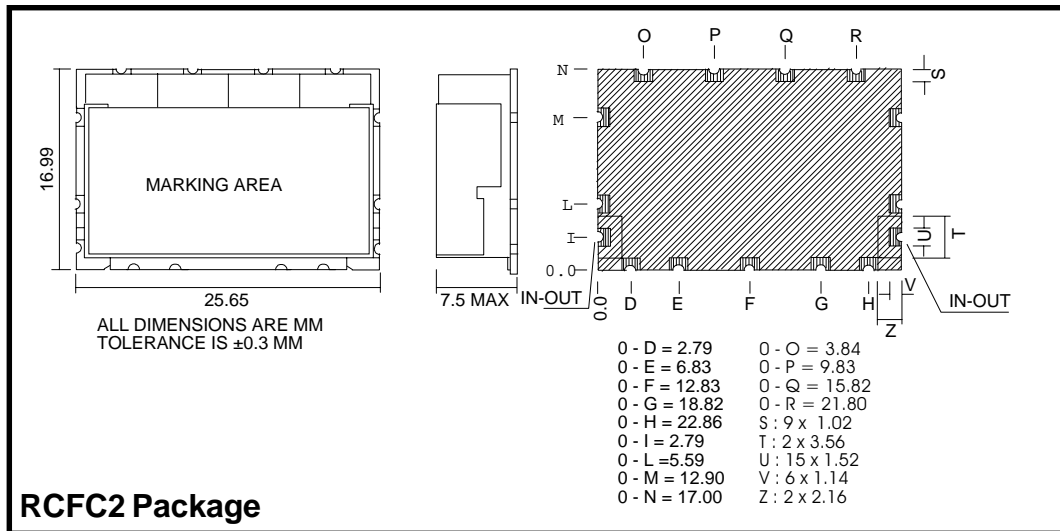
### ● Outline Drawings



### ● Applications for RCFC1

IMT-2000  
WLL

Part Number	Center Frequency	Bandwidth	Insertion Loss (Max)	Ripple (Max)	V.S.W.R (Max)	Attenuation (Min)
RCFC2-813BP4	813.0 MHz	$F_0 \pm 5$ MHz	3.5 dB	0.5 dB	2	30 dB @ $F_0 \pm 40$ MHz
RCFC2-813BP4	836.5 MHz	$F_0 \pm 12.5$ MHz	3.0 dB	0.8 dB	2	20 dB @ $F_0 \pm 32.5$ MHz
RCFC2-813BP4	881.5 MHz					



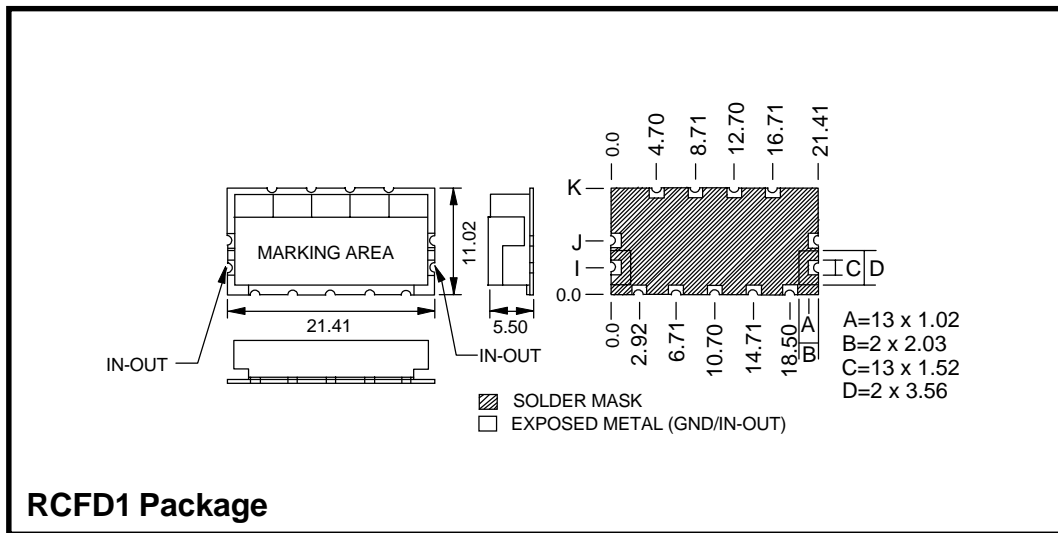
### ● Applications for RCFC2

TRS  
AMPS

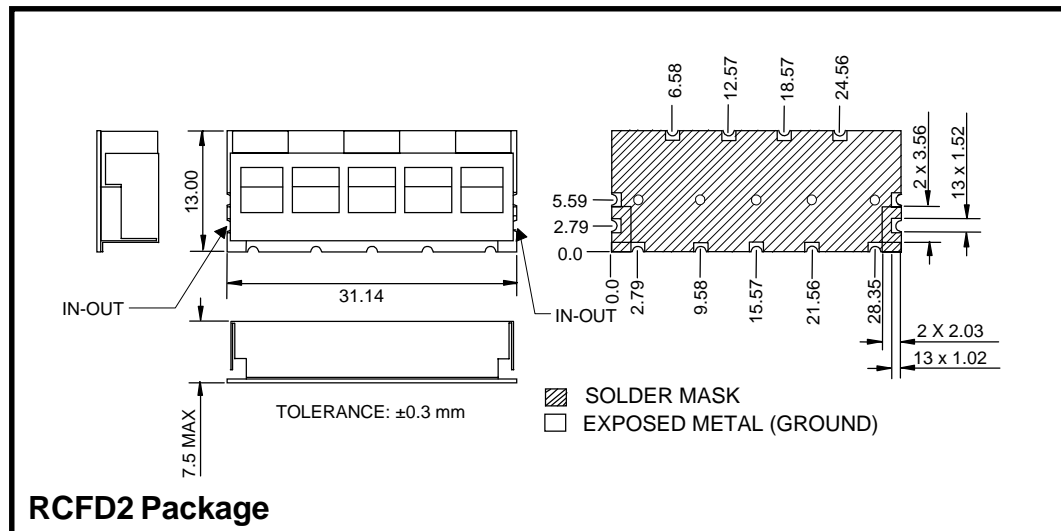
### ● Specifications 5 Pole Bandpass Filter

Part Number	Center Frequency	Bandwidth	Insertion Loss (Max)	Ripple (Max)	V.S.W.R (Max)	Attenuation (Min)
RCFD1-1310BP5	1310.0 MHz	$F_0 \pm 17.5$ MHz	4.1 dB	1.6 dB	2	12 dB @ $F_0 \pm 28$ MHz
RCFD1-1950BP5	1950.0 MHz	$F_0 \pm 30.0$ MHz	3.0 dB	1.0 dB	1.5	40 dB @ 2070 MHz
RCFD1-2140BP5	2140.0 MHz					40 dB @ 2260 MHz
RCFD1-2800BP5	2800.0 MHz	$F_0 \pm 1000$ MHz	3.0 dB	1.6 dB	2	60 dB @ $F_0 \pm 1000$ MHz
RCFD1-836BP5	836.5 MHz	$F_0 \pm 12.5$ MHz	3.0 dB	1.0 dB	2	28 dB @ $F_0 \pm 32.5$ MHz
RCFD1-881BP5	881.5 MHz					
RCFD1-808BP5	808.0 MHz	$F_0 \pm 5.0$ MHz	4.5 dB	1.0 dB	2	50 dB @ $F_0 \pm 45$ MHz
RCFD1-852BP5	852.0 MHz					
RCFD1-1690BP5	1690.0 MHz	$F_0 \pm 25.0$ MHz	4.0 dB	1.0 dB	2	50 dB @ $F_0 \pm 140$ MHz
RCFD1-1972BP5	1972.0 MHz	$F_0 \pm 2.5$ MHz	5.0 dB	0.5 dB	2	25 dB @ $F_0 \pm 32.5$ MHz

### ● Outline Drawings



- Applications for RCFD1/D2
- RADIO LINK
- IMT- 2000
- LAN
- AMPS
- TRS

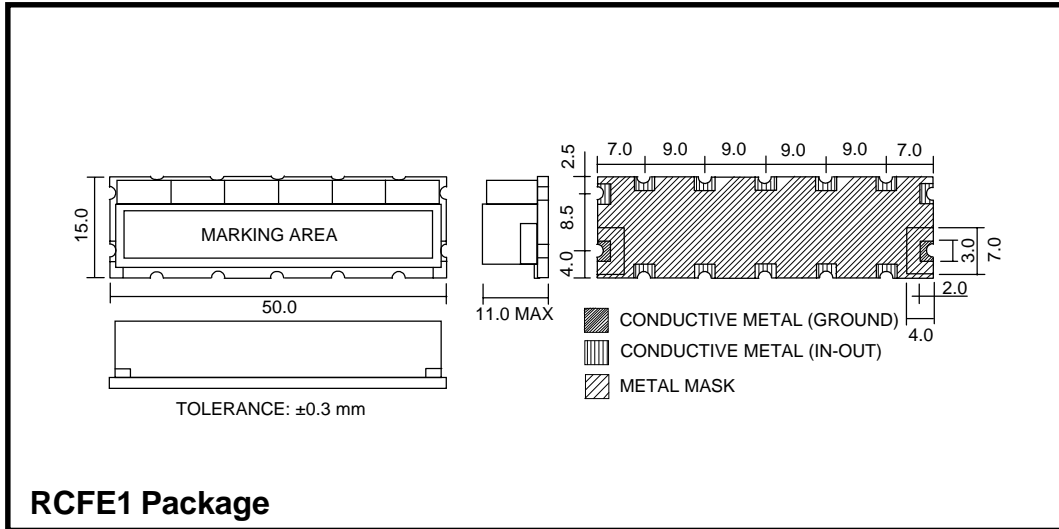


Specifications for the RCFD1 package are also available for the RCFD2 Package.  
Other specifications are available in these packages.

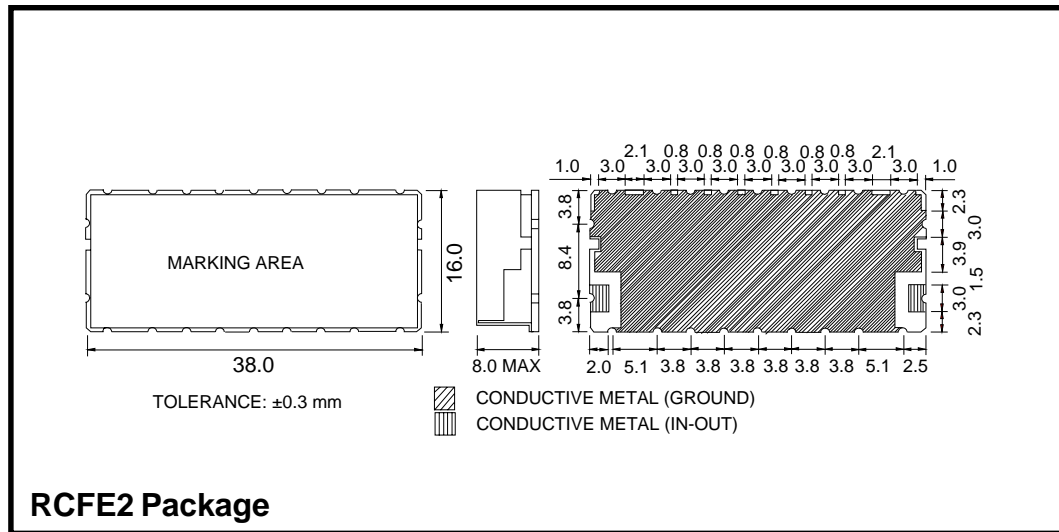
● Specifications  
6 Pole Bandpass Filter

Part Number	Center Frequency	Bandwidth	Insertion Loss (Max)	Ripple (Max)	V.S.W.R (Max)	Attenuation (Min)
RCFE1-2332BP6	1030.0 MHz	$F_0 \pm 4.5$ MHz	5.0 dB	0.8 dB	2	45 dB @ $F_0 \pm 25.0$ MHz
RCFE1-1030BP6	2332.5 MHz	$F_0 \pm 27.5$ MHz	3.0 dB	1.0 dB	2	23 dB @ $F_0 \pm 57.5$ MHz

● Outline Drawings



● Applications for RCFE1/E2  
Satellite Link  
IMT-2000

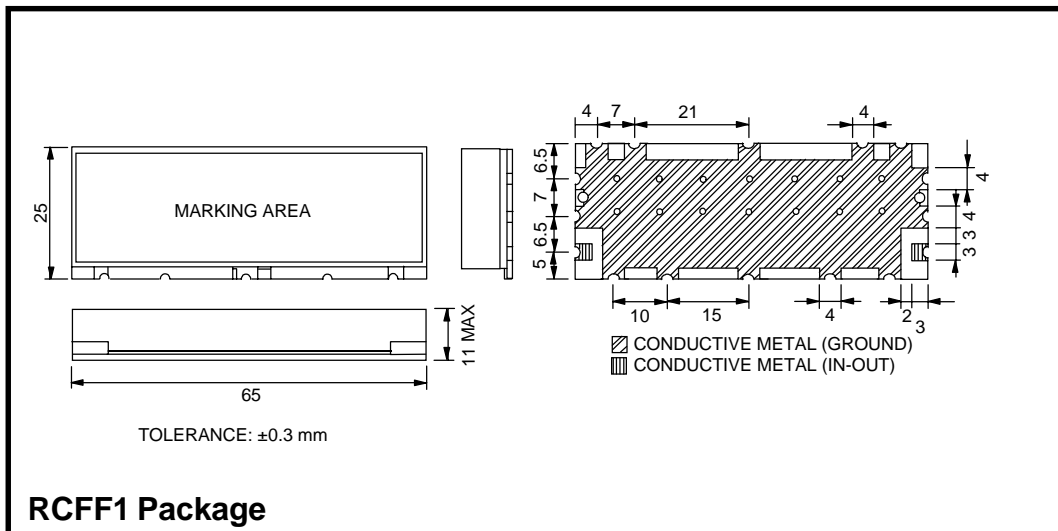


Specifications for the RCFE1 package are also available for the RCFE2 Package.  
Other specifications are available in these packages.

### ● Specifications 8 Pole Bandpass Filter

Part Number	Center Frequency	Bandwidth	Insertion Loss (Max)	Ripple (Max)	V.S.W.R (Max)	Attenuation (Min)
RCFF1-645BP8	645.0 MHz	$F_0 \pm 5.0$ MHz	5.0 dB	0.5 dB	2	70 dB @ $F_0 \pm 70$ MHz
RCFF1-675BP8	675.0 MHz					
RCFF1-735BP8	735.0 MHz					
RCFF1-765BP8	765.0 MHz					
RCFF1-795BP8	795.0 MHz					
RCFF1-836BP8	836.5 MHz	$F_0 \pm 12.5$ MHz	5.5 dB	2.0 dB	2	70 dB @ $F_0 \pm 42.5$ MHz
RCFF1-847BP8	847.14 MHz	$F_0 \pm 1.85$ MHz	20.0 dB	2.2 dB	2	20 dB @ $F_0 \pm 5$ MHz
RCFF1-892BP8	892.14 MHz					
RCFF1-902BP8	902.5 MHz	$F_0 \pm 12.5$ MHz	5.5 dB	1.5 dB	2	60 dB @ $F_0 \pm 44.5$ MHz
RCFF1-911BP8	911.5 MHz		15.0 dB	3.5 dB	2	70 dB

### ● Outline Drawing

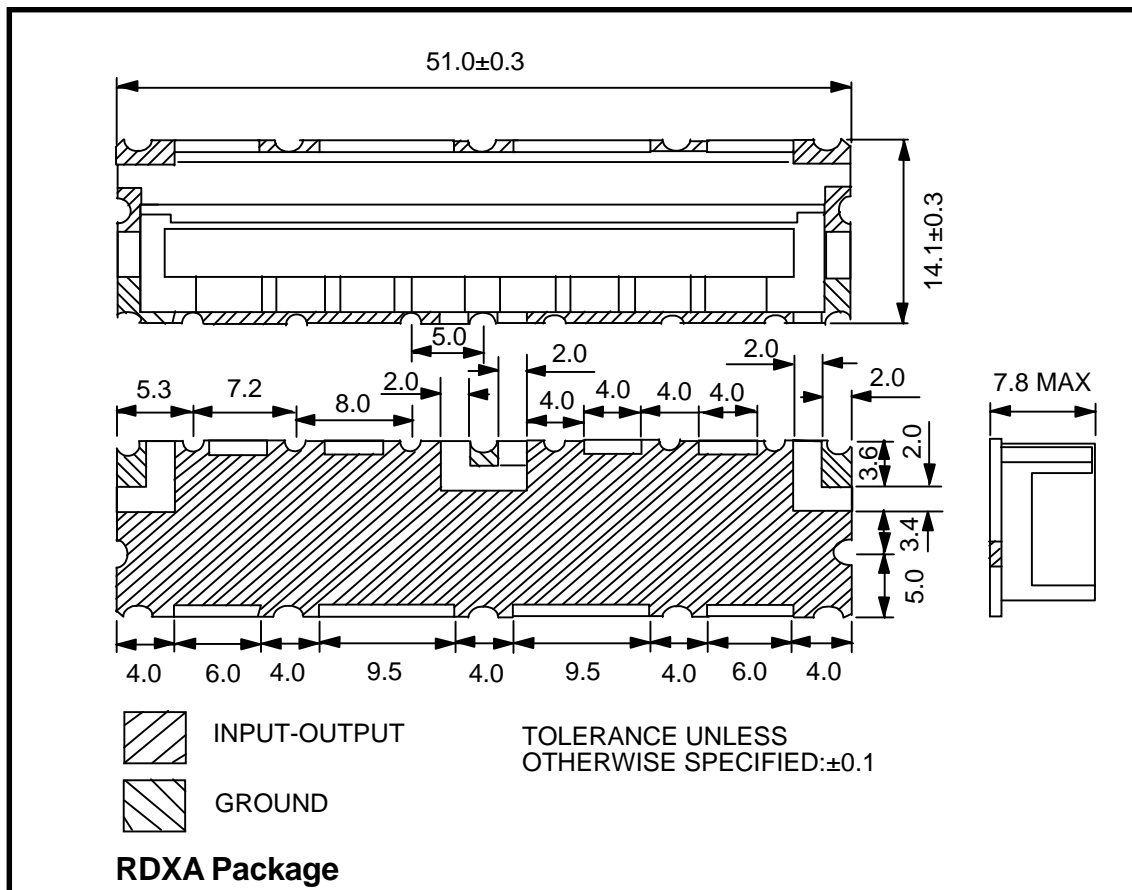


Other specifications are available in the RCFF1 package.

## • Specifications Duplexers

Part Number		Center Frequency	Bandwidth	Insertion Loss	Ripple (Max)	V.S.W.R (Max)	Attenuation (Min)
RDXA-R2180-T1690A	Tx	1690 MHz	Fo±32.5 MHz	1.5 dB	0.5 dB	1.5	50 dB at 1718 MHz
	Rx	2180 MHz		2.0 dB	0.5 dB		50 dB at 2152 MHz
RDXA-R1855-T1765A	Tx	1765 MHz	Fo±15.0 MHz	1.7 dB	1.0 dB	1.5	42 dB at Fr±15 MHz
	Rx	1855 MHz		2.5 dB	1.0 dB		43 dB at Fr±15 MHz
RDXA-R2385-T2315A	Tx	2315 MHz	Fo±15.0 MHz	1.5 dB	1.0 dB	1.5	45 dB at Fr±15 MHz
	Rx	2385 MHz		2.5 dB	1.0 dB		50 dB at Fr±15 MHz
RDXA-R947-T902A	Tx	902.5 MHz	Fo±12.5 MHz	2.5 dB	0.8 dB	1.5	48 dB at Fr±12.5 MHz
	Rx	947.5 MHz		3.0 dB	0.8 dB		48 dB at Fr±12.5 MHz
RDXA-R2140-T1950A	Tx	1950 MHz	Fo±30.0 MHz	2.0 dB	0.5 dB	1.5	50 dB at Fr±15 MHz
	Rx	2140 MHz		2.0 dB	1.0 dB		50 dB at Fr±15 MHz
RDXA-R858-T813A	Tx	813 MHz	Fo±5.0 MHz	2.0 dB	0.8 dB	1.5	50 dB at Fr±.05 MHz
	Rx	858 MHz		2.0 dB	0.8 dB		50 dB at Fr±5.0 MHz
RDXA-R881-T836A	Tx	836.5 MHz	Fo±12.5 MHz	2.0 dB	0.8 dB	1.5	50 dB at Fr±12.5 MHz
	Rx	881.5 MHz		2.3 dB	0.8 dB		50 dB at Fr±15 MHz
RDXA-R1855-T1765A	Tx	1765 MHz	Fo±15.0 MHz	2.0 dB	0.8 dB	1.5	55 dB at Fr±15 MHz
	Rx	1855 MHz		2.0 dB	0.8 dB		55 dB at Fr±15 MHz

## • Outline Drawing



Other specifications are available in the RDXA package.  
Also other duplexer package types are available.