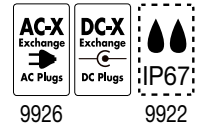


- 9920 - 3-pin IEC 320
- 9921 - 2-pin IEC 320
- 9922 - fixed mains cord / fast nettleledning
- 9926 - exchangeable AC plugs / utskiftbare



- | | |
|--|---|
| <ul style="list-style-type: none"> • Universal input voltage (90-264 VAC) • Mounting bracket available • Order mains cord separately • Approvals: <ul style="list-style-type: none"> - Complies w. medical std. (EN 60601) - UL approved - For updates: see www.mascot.no | <ul style="list-style-type: none"> • Universal inngangsspenning (90-264 VAC) • Kan leveres med festebrakett • Nettleledning best. separat • Godkjenninger: <ul style="list-style-type: none"> - Tilfredst. medisinsk std. (EN 60601) - UL godkjent - For oppdat.: se www.mascot.no |
|--|---|



Technical specifications

Tekniske data

13,2 V*

Input voltage:	Inngangsspenning:	90-264 VAC
Line frequency:	Frekvensområde:	47-63 Hz
Min. output current:	Min. laststrøm:	0A
Load regulation:	Lastregulering:	< 1%
Mains regulation:	Linjeregulering:	< 0,5%
Switch frequency approx.:	Svitsjefrekvens ca.:	40 kHz
Overshoot (90-10% load variation):	Oversving (90-10% lastvariasjon):	< 300 mV
Undershoot (10-90% load variation):	Undersving (10-90% lastvariasjon):	< 300 mV
Hold-up time:	Hold-up time:	> 20 ms
Temperature range	Temperaturområde	
• Operating:	• Drift:	-20 - +40°C
• With derating:	• Med derating:	+60°C
• Storage:	• Lagring:	-25 - +85°C
Derating:	Derating:	1W/°C over 40°C
Derating UL-version:	Derating UL-versjon:	TA from 30 to 40°C : 32W
Ripple:	Rippel:	50 mV p-p
Efficiency (at 100% load, 230 V):	Virkningsgrad (v. 100% last, 230 V):	ca 85 %
Current limiting:	Strømbegrensning:	Yes / Ja
Insulation class:	Isolasjonsklasse:	I
Insulation voltage	Isolasjonsspenning	
• Primary - secondary:	• Primær - sekundær:	4000 VAC / 5640 VDC
Safety:	Sikkerhet:	EN 60950, UL 60601-1
EMC standards	EMC standarder	
• Emission:	• Emisjon:	EN 61000-6-3
• Immunity:	• Immunitet:	EN 61000-6-1
Reliability (MIL-HDBK-217F)	Pålitelighet (MIL-HDBK-217F)	MTBF > 100.000hrs at 25°C and full load
Output terminal:	Utgangsterminaler:	Cable / Kabel incl. / excl. plug
Dimensions (LxWxH):	Ytre mål (LxBxH):	107 x 67 x 36,5mm (9920-21-22)
Weight:	Vekt:	250g (450g IP67 vers.)

* Some technical specifications may differ for other models and voltage versions. / Visse tekniske data kan variere for de forskjellige modeller og spenningsversjoner.

Voltage versions - Spenningsversjoner

Output / Utgang (V)	Max. current / Maks. strøm (A)	Max. output power / Maks. utgangseffekt (W)
5 *	3,5	17,5
9 *	3	27
13,2	3	40
16	2,5	40
24	1,6	40
48	0,8	40

* UL-approval pending/
Avventer UL-godkjenning



Exchangeable AC plug models

Modeller med utskiftbare AC plugger

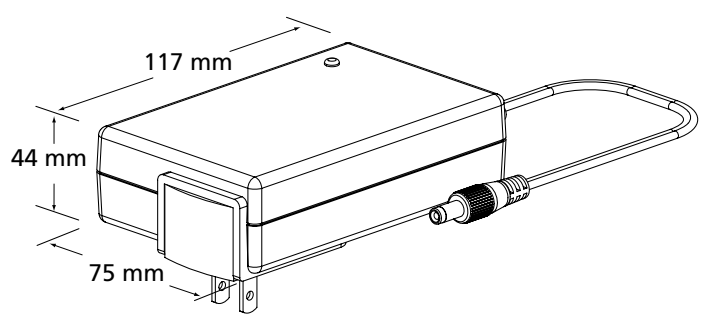
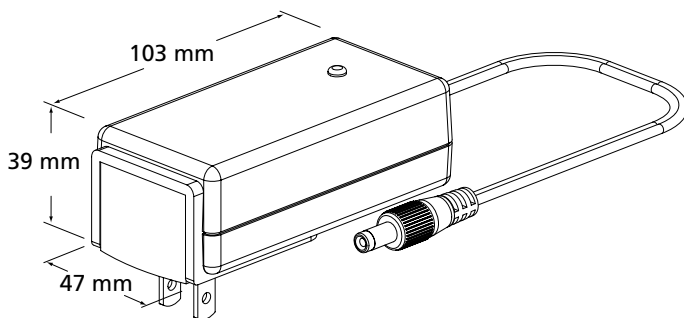
Available as: / Tilgjengelig som:

Small housing / liten boks		
Base model / Grunnmodell		w exch. AC plug
Type	Description / Beskrivelse	Type
2121	AC/DC PSU, max 10W	2123
2124	AC/DC PSU, max 16W	2126
2115	NiMH battery charger, max 1,3A	2116
2240	Lead Acid batt. charger, max 1,3A	2241
2240 LI	Li-Ion batt. charger, max 1,3A	2241 LI
Additional housing weight (excl. plug/cord) +15 g Tilleggsvekt (uten plugg/ledning) +15 g		

Medium housing / medium boks		
Base model / Grunnmodell		w exch. AC plug
Type	Description / Beskrivelse	Type
9921	AC/DC PSU, max 40W	9926
2720	AC/DC PSU, max 40W	2721
2541	Lead Acid batt. charger, max 2,2A	2542
9940	Lead Acid batt. charger, max 2,3A	9941
2215	NiMH battery charger, max 35W	2216
9940 LI	Li-Ion batt. charger, max 2,3A	9941 LI
2541 LI	Li-Ion batt. charger, max 2,7A	2542 LI
Additional housing weight (excl. plug/cord) +27 g Tilleggsvekt (uten plugg/ledning) +27 g		



IEC 320 mains cord / nettleledning 1800mm EU part no. 131306,
UK part no. 131148, US part no. 131147, AU part no. 013108



EXCHANGEABLE AC PLUG ADAPTERS

EU plug	UK plug	US plug	AU plug
Part no. 018110	Part no. 018112	Part no. 018111	Part no. 018114
Weight: 21g	Weight: 30g	Weight: 14g	Weight: 28g
