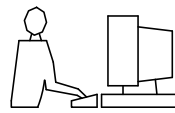


THIS IS A C.A.D. GENERATED DRAWING
DO NOT MAKE MANUAL REVISIONS TO MASTER.

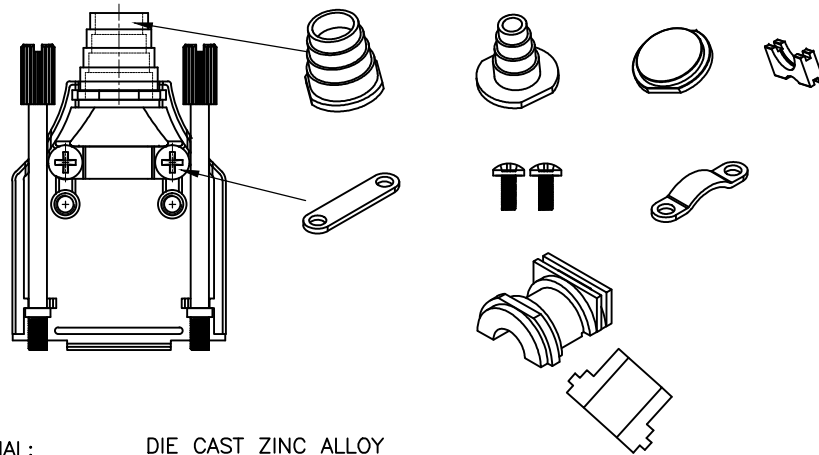
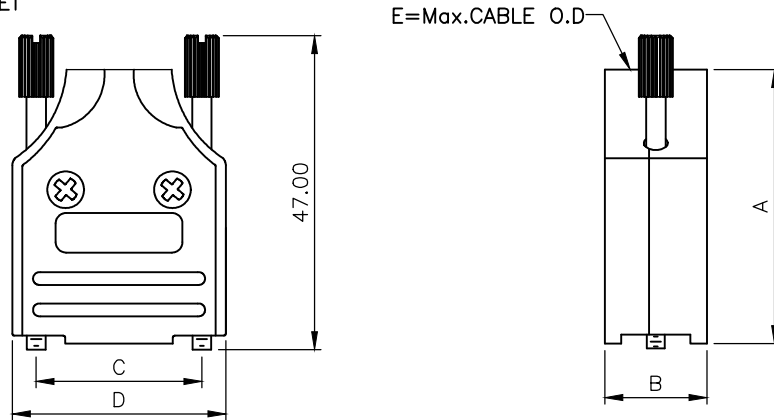


* UNLESS OTHERWISE SPECIFIED TOLERANCES
ON DECIMAL IS: ANGLE $\pm 1^\circ$

UNIT: MM

BACKSHELL KIT INCLUDES:

- (2)BACKSHELL HALVES
- (2)STRAIN RELIEF CLAMPS
- (2)STRAIN RELIEF SCREWS
- (2)MOUNTING SCREWS
- (2)THUMBSCREWS
- (1)GORMMET
- (1)GORMMET SET



DIMENSIONS(mm/in)					
SIZE	A $\pm_{0.012}^{0.30}$	B $\pm_{0.020}^{0.50}$	C $\pm_{0.010}^{0.25}$	D $\pm_{0.051}^{1.3}$	E
9	41.3	15.4	24.99	32.2	13.0
	1.626	0.606	0.984	1.268	0.512
15	43.3	15.4	33.32	40.6	13.0
	1.705	0.606	1.312	1.598	0.512
25	49.5	15.4	47.04	54.5	13.0
	1.949	0.606	1.852	2.146	0.512
37	54.3	15.4	63.50	70.7	13.0
	2.138	0.606	2.500	2.783	0.512

ORDERING INFORMATON:

SIZE	P/N - KITTED	PRODUCT CODE
9-WAY	6560-0137-01	MHEE-9-K
15-WAY	6560-0137-02	MHEE-15-K
25-WAY	6560-0137-03	MHEE-25-K
37-WAY	6560-0137-04	MHEE-37-K

BACKSHELL: MATERIAL:
PLATING:
COMPRESSION INSERT:
4-40 THUMBSCREWS:
HOUSING SCREWS:
STRAIN RELIEF CLAMP:
STRAIN RELIEF SCREWS:
OPERATING TEMP:

DIE CAST ZINC ALLOY
NICKEL PLATED
ABS-UL RECOGNIZED
STEEL-Zn PLATED
STEEL-Zn PLATED
STEEL-NICKEL PLATED
STEEL-Zn PLATED
-40°C TO+120°C

THESE DRAWINGS AND SPECIFICATIONS ARE THE PROPERTY OF MH CONNECTORS AND SHALL NOT BE REPRODUCED, COPIED OR USED AS THE BASIS FOR THE MANUFACTURE OR SALE OF APPARATUS WITHOUT WRITTEN PERMISSION.

DRAWN Johnny
DATE 11-24-15

APPROVED Victor Lin
DATE 11-24-15

SCALE 1 : 1
SHEET OF 1 OF 1
REV: 8.0

DRAWING No MHEEXX-K



THIS SERIES FULLY CONFORMS TO THE EUROPEAN UNION DIRECTIVES 2002/95/EC AND 2002/96/EC FOR RoHS COMPLIANCY.



**MH CONNECTORS ,
DIVISION OF EDAC**