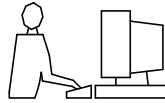


THIS IS A C.A.D. GENERATED DRAWING
DO NOT MAKE MANUAL REVISIONS TO MASTER.

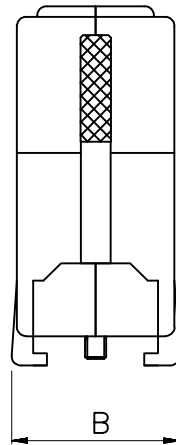
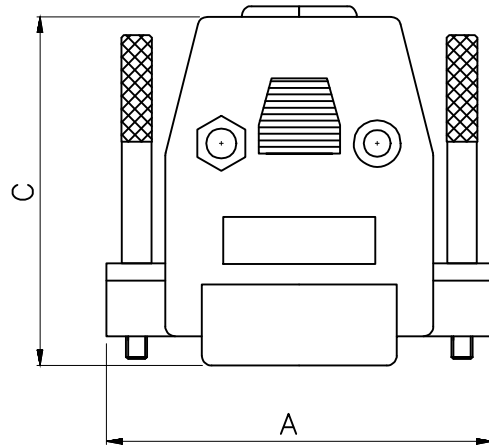
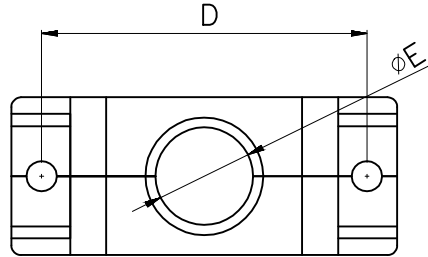


* UNLESS OTHERWISE SPECIFIED TOLERANCES
ON DECIMAL IS: ANGLE ± 5°
UNIT: MM

ISSUE NUMBER
ORIGINAL ①
9PIN NEW MOLD
PART,
UPDATE DIM ⑥

BACKSHELL KIT INCLUDES:

- (2)BACKSHELL HALVES
- (2)HOUSING SCREW
- (2)THUMBSCREW
- (2)CRIMP SCREW
- (2)NUT
- (2)CRIMP



DIMENSIONS(mm/in)					
SIZE	A ± 0.3 ± 0.012	B ± 0.3 ± 0.012	C ± 0.3 ± 0.012	D ± 0.3 ± 0.012	E ± 0.3 ± 0.012
9	31.2	16.5	39.6	25.0	7.3
	1.228	0.650	1.559	0.984	0.287
15	39.6	17.3	35.8	33.3	10.0
	1.559	0.681	1.410	1.311	0.394
25	54.2	16.8	42.0	47.1	11.0
	2.134	0.662	1.654	1.854	0.433
37	69.0	20.0	51.0	63.5	13.8
	2.717	0.787	2.008	2.500	0.543
50	69.5	19.2	43.9	61.0	17.7
	2.736	0.756	1.729	2.402	0.697

ORDERING INFORMATION - LONG JACKSCREWS

SIZE	P/N - KITTED	PRODUCT CODE
9-WAY	2360-0105-11	MHCCOV 9-SCL-MP
15-WAY	2360-0105-12	MHCCOV15-SCL-MP
25-WAY	2360-0105-13	MHCCOV25-SCL-MP
37-WAY	2360-0105-14	MHCCOV37-SCL-MP
50-WAY	2360-0105-15	MHCCOV50-SCL-MP

INSULATOR: ABS UL94HB
FINISHED: CHROMATE PLATED
SCREW: STEEL, NICKEL PLATED
NUT: STEEL, NICKEL PLATED
CRIMP: STEEL, NICKEL PLATED
INSULATOR COLOR: MP=METALIZED

THESE DRAWINGS AND SPECIFICATIONS ARE THE PROPERTY OF MH CONNECTORS LTD. AND SHALL NOT BE REPRODUCED, COPIED OR USED AS THE BASIS FOR THE MANUFACTURE OR SALE OF APPARATUS WITHOUT WRITTEN PERMISSION.

DRAWN
JOHNNY
DATE
05-29-20

APPROVED
DAMIEN
DATE
05-29-20

SCALE SHEET OF REV:
1 OF 1 6.0

DRAWING No
MHCCOVXX-SCL-MP



THIS SERIES FULLY CONFORMS TO THE EUROPEAN UNION DIRECTIVES 2002/95/EC AND 2002/96/EC FOR RoHS COMPLIANCY.



MH CONNECTORS LTD.