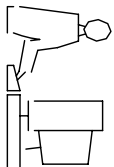
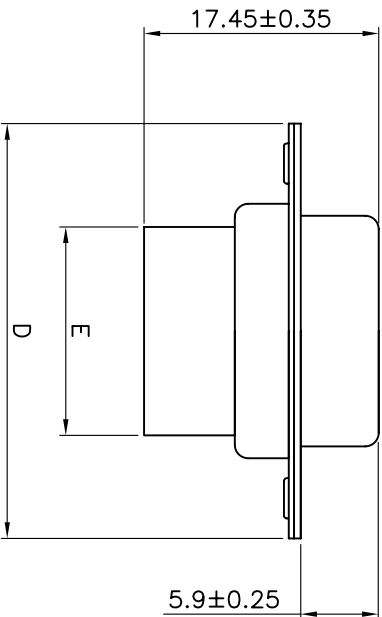
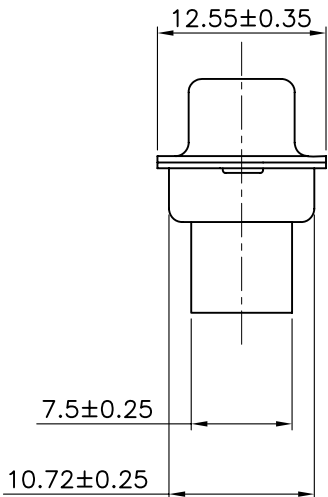
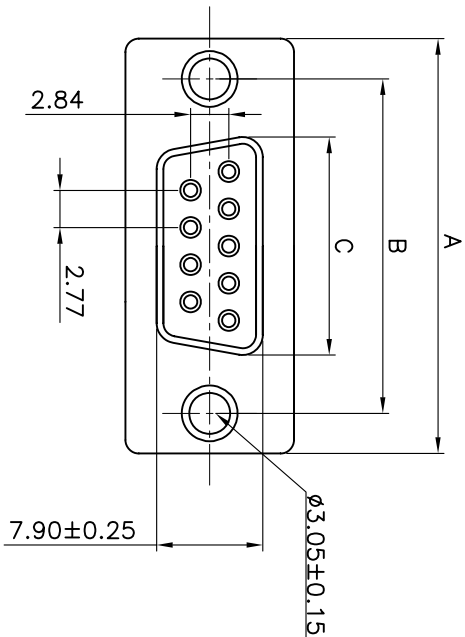


THIS IS A C.A.D. GENERATED DRAWING
DO NOT MAKE MANUAL REVISIONS TO MASTER.



* UNLESS OTHERWISE SPECIFIED TOLERANCES
ON DECIMAL IS: ANGLE ± 1°
.X ± 0.25
.XX ± 0.15



PIN	A±0.25	B±0.25	C±0.25	D±0.25	E±0.25
09	30.81	24.99	16.33	19.28	15.50
15	39.25	33.32	24.66	27.55	24.75
25	53.03	47.04	38.38	41.25	38.00
37	69.40	63.50	54.85	57.40	54.20

Remark:

1. SPECIFICATION:

- Rated voltage:250V
- Rates current:3AMP
- Contact resistance:30MΩ MAX
- Insulation resistance:1000MΩ MIN.at 500V DC
- Withstand voltage:500V Per minute
- Temperature range:-55 -105°C

2.MATERIAL:

- Plastic:PBT+30% G.F (UL94V-0) BLACK
- Spcc shell:Spcc front shell is tin plated back shell is tin plated

THESE DRAWINGS AND SPECIFICATIONS ARE THE PROPERTY OF MH CONNECTORS LTD. AND SHALL NOT BE REPRODUCED, COPIED OR USED AS THE BASIS FOR THE MANUFACTURE OR SALE OF APPARATUS WITHOUT WRITTEN PERMISSION.

DRAWN

Johnny

DATE

12-20-12

APPROVED

DATE

SCALE

1:1

SHEET OF

1 DF 1

REV:

1

MH CONNECTORS LTD.

DRAWING No

MHDBC09/15/25/37-SS



THIS SERIES FULLY CONFORMS TO THE
EUROPEAN UNION DIRECTIVES 2002/95/EC
AND 2002/96/EC FOR ROHS COMPLIANCY.

