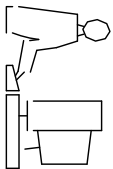
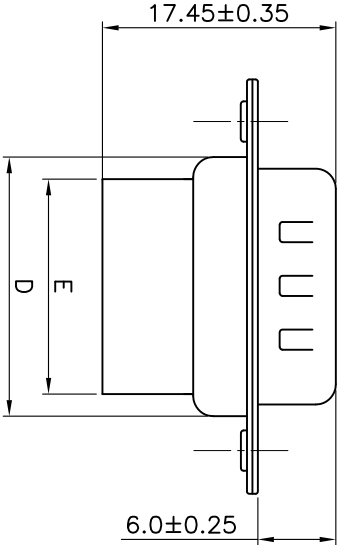
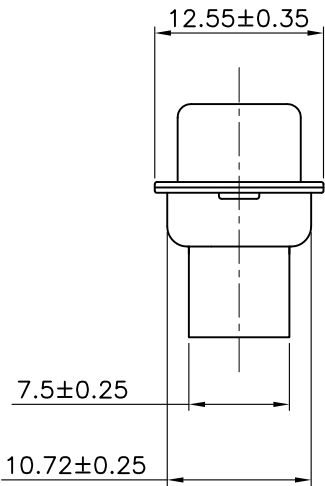
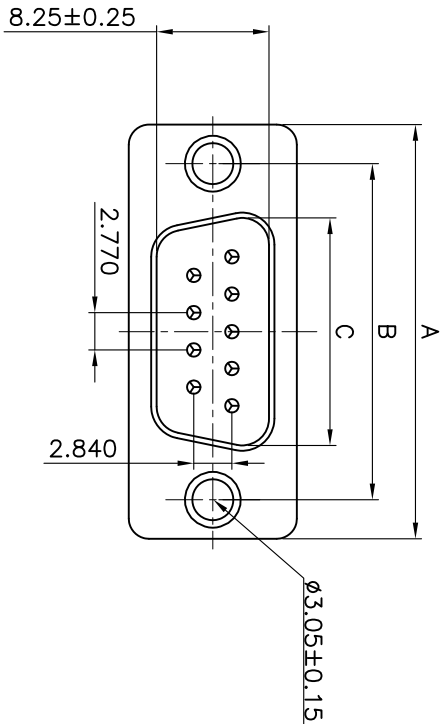


THIS IS A C.A.D. GENERATED DRAWING
DO NOT MAKE MANUAL REVISIONS TO MASTER.



* UNLESS OTHERWISE SPECIFIED TOLERANCES
ON DECIMAL IS: ANGLE ± 1°
.X ± 0.35
.XX ± 0.25
.XXX ± 0.15



PIN	A±0.25	B±0.25	C±0.25	D±0.25	E±0.25
09	30.81	24.99	16.92	19.28	15.50
15	39.25	33.32	25.25	27.75	24.00
25	53.03	47.04	38.96	41.30	38.00
37	69.50	63.50	55.42	57.40	54.40

NOTES:

1. SPECIFICATION:

- Rated voltage: 250V
- Rated current: 3AMP
- Contact resistance: 30mΩ MAX
- Insulation resistance: 1000MΩ MIN. at 500V DC
- Withstand voltage: 500V Per minute
- Temperature range: -55 -105°C

2. MATERIAL:

- Plastic: PBT+30% G.F (UL94V-0) BLACK
- Shell: Spcc front shell nickle plated , back shell tin plated

THESE DRAWINGS AND SPECIFICATIONS ARE THE PROPERTY OF MH CONNECTORS LTD. AND SHALL NOT BE REPRODUCED, COPIED OR USED AS THE BASIS FOR THE MANUFACTURE OR SALE OF APPARATUS WITHOUT WRITTEN PERMISSION.

DRAWN	DATE
Johnny	12-20-12
APPROVED	DATE

SCALE	SHEET	OF	REV:
1:1	1	DF 1	1

DRAWING No
MHDBC09/15/25/37-SP

MH CONNECTORS LTD.



THIS SERIES FULLY CONFORMS TO THE
EUROPEAN UNION DIRECTIVES 2002/95/EC
AND 2002/96/EC FOR ROHS COMPLIANCY.

