

TECHNICAL SPECIFICATIONS

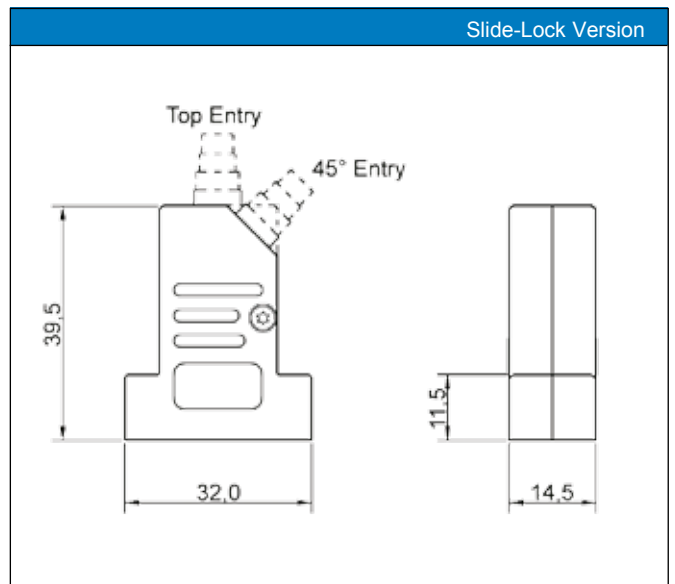
Material: Zinc, Nickel Plated
Operating Temperature: -40°C to +120°C
Cable Entry: Top or Side Entry
Cable O.D: Up to 11,5mm

Accessories: See page 186-190
Assembly Instruction: See page 204



Features:

- Slide-Lock Version
- Available in size 9 only
- Excellent EMI Shielding
- Re-openable



Ordering information:

MHDTSL-SLFR

Size:	P/N - Kitted:	Product Code:
9-way-TOP	6560-0235-31	MHDTSL09-SLFR-T-K
9-way-SIDE	6560-0239-31	MHDTSL09-SLFR-S-K

Size:	P/N - BULK:	Product Code:
9-way-TOP	6561-0235-31	MHDTSL09-SLFR-T
9-way-SIDE	6561-0239-31	MHDTSL09-SLFR-S

MHDTSL-SL

Size:	P/N - Kitted:	Product Code:
9-way-TOP	6560-0205-31	MHDTSL09-SL-T-K
9-way-SIDE	6560-0209-31	MHDTSL09-SL-S-K

Size:	P/N - BULK:	Product Code:
9-way-TOP	6561-0205-31	MHDTSL09-SL-T
9-way-SIDE	6561-0209-31	MHDTSL09-SL-S