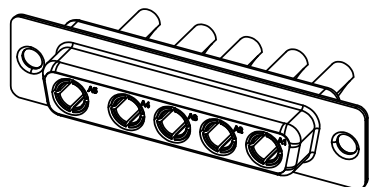


THIS IS A C.A.D. GENERATED DRAWING  
DO NOT MAKE MANUAL REVISIONS TO MASTER.

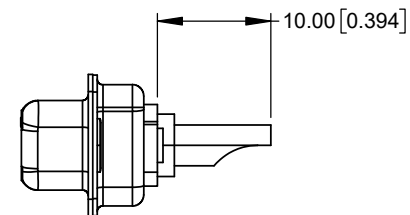
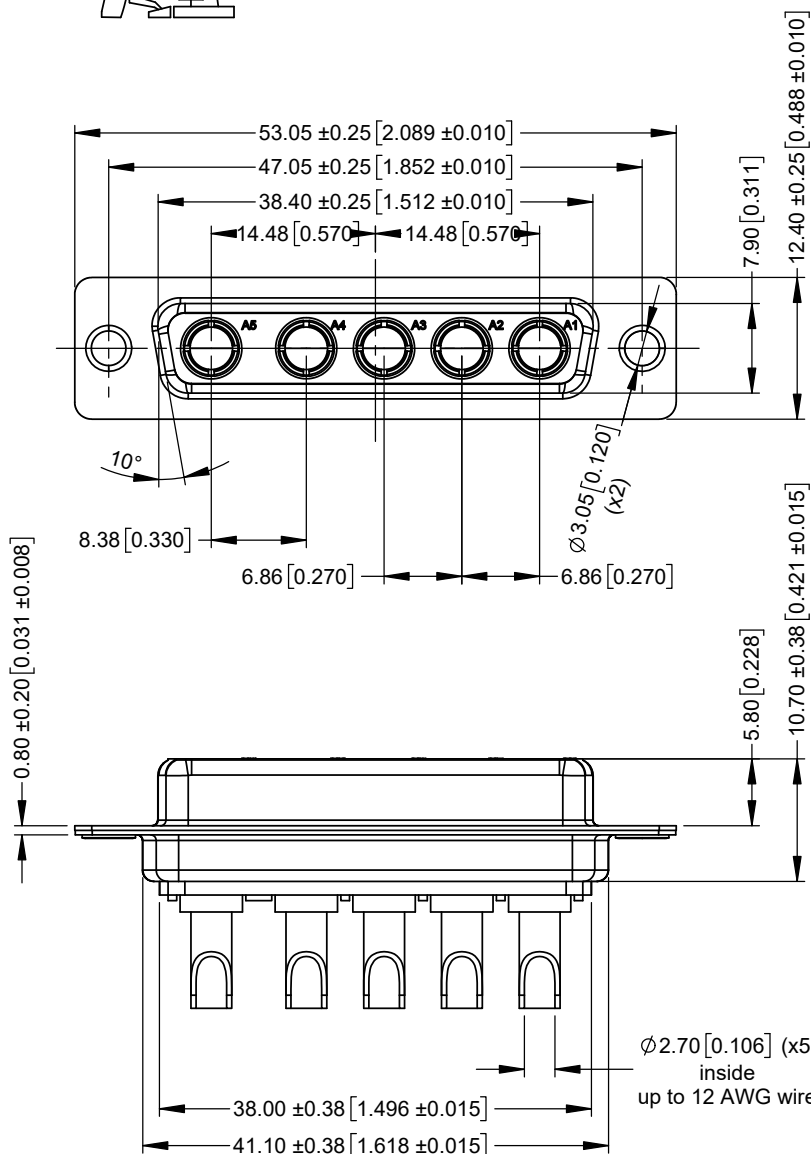


\* UNLESS OTHERWISE SPECIFIED TOLERANCES  
ON DECIMAL IS: UNIT: MM UNIT: INCH  
X.X ± 0.25 X.X ± 0.010  
X.XX ± 0.13 X.XX ± 0.005  
X.XXX ± 0.05 X.XXX ± 0.002  
X.° ± 1° X.° ± 1°  
X.X° ± 0.5° X.X° ± 0.5°

|              |   |
|--------------|---|
| ISSUE NUMBER |   |
| ORIGINAL     | ① |



SCALE 1:1



SPECIFICATIONS:

ELECTRICAL:

INSULATOR RESISTANCE: 5 GΩ  
DIELEC. WITHSTAND VOLTAGE: 1,000 VAC R.M.S.  
POWER CONTACT CURRENT: 20A PER CONTACT MAX  
POWER CONTACT RESISTANCE: 2 mΩ MAX.  
WORKING VOLTAGE: 250V

MATERIAL:

INSULATOR: PBT UL94 V-0, BLACK  
SHELL: STEEL, Ni PLATED  
CONTACTS: COPPER ALLOY, FULL GOLD FLASH

GENERAL:

OPERATING TEMPERATURE: -55°C ~ 125°C  
PROCESS TEMP.: 230°C

THESE DRAWINGS AND SPECIFICATIONS ARE THE PROPERTY OF MH CONNECTORS AND SHALL NOT BE REPRODUCED, COPIED OR USED AS THE BASIS FOR THE MANUFACTURE OR SALE OF APPARATUS WITHOUT WRITTEN PERMISSION.

|            |          |           |          |
|------------|----------|-----------|----------|
| DRAWN      | E.P      | DATE      | 02-05-23 |
| APPROVED   | S.R      | DATE      | 02-05-23 |
| SCALE      | SHEET OF | REV:      |          |
| NA         | 1 OF 1   | 1         |          |
| DRAWING No |          | MHCD5W5S2 |          |



THIS SERIES FULLY CONFORMS TO THE EUROPEAN UNION DIRECTIVES 2015/863/EU AND 2011/65/EU FOR RoHS COMPLIANCY.



MH CONNECTORS,  
DIVISION OF EDAC