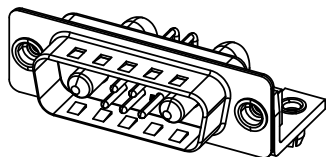


THIS IS A C.A.D. GENERATED DRAWING
DO NOT MAKE MANUAL REVISIONS TO MASTER.

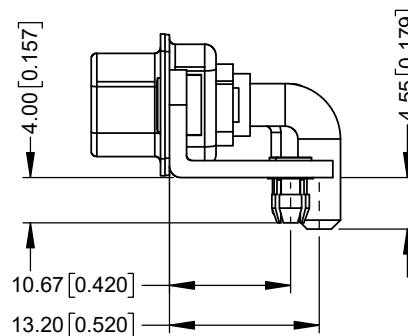
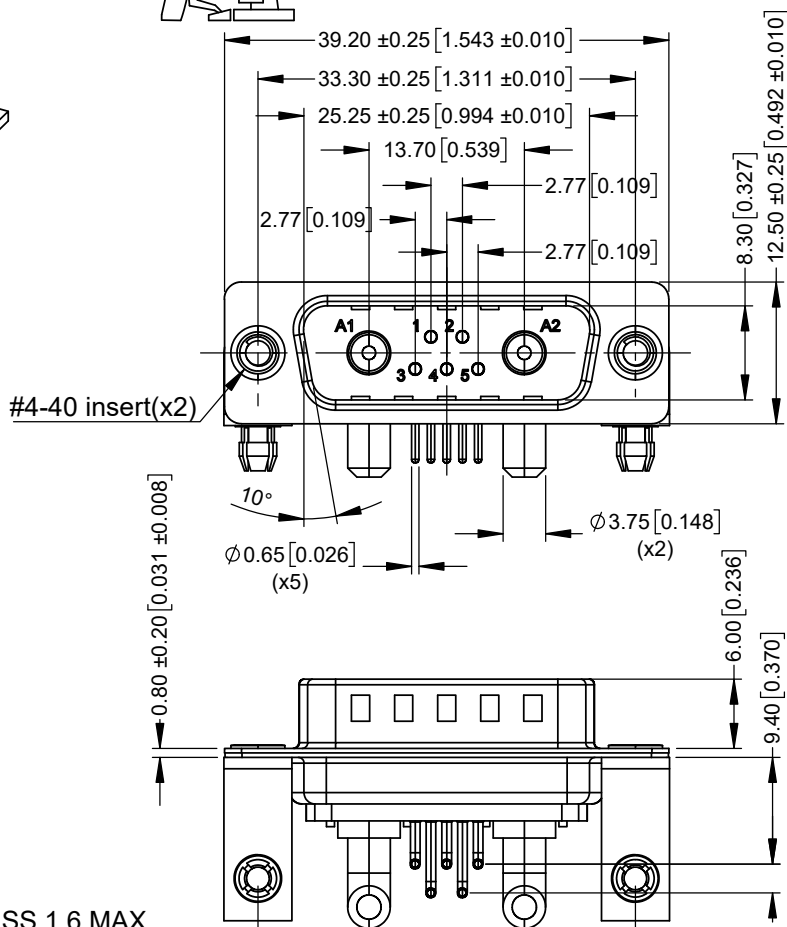


* UNLESS OTHERWISE SPECIFIED TOLERANCES
ON DECIMAL IS: UNIT: MM UNIT: INCH
 X.X ± 0.25 X.X ± 0.010
 X.XX ± 0.13 X.XX ± 0.005
 X.XXX ± 0.05 X.XXX ± 0.002
 X.° ± 1° X.° ± 1°
 X.X° ± 0.5° X.X° ± 0.5°

ISSUE NUMBER	
ORIGINAL	①



SCALE 1:1



SPECIFICATIONS:

ELECTRICAL:

INSULATOR RESISTANCE: 5 GΩ
 DIELEC. WITHSTAND VOLTAGE: 1,000 VAC R.M.S.
 POWER CONTACT CURRENT: 40A PER CONTACT MAX
 POWER CONTACT RESISTANCE: 2 mΩ MAX.
 SIGNAL CONTACT CURRENT: 5A PER CONTACT MAX.
 SIGNAL CONTACT RESISTANCE: 10 mΩ MAX.
 WORKING VOLTAGE: 250V

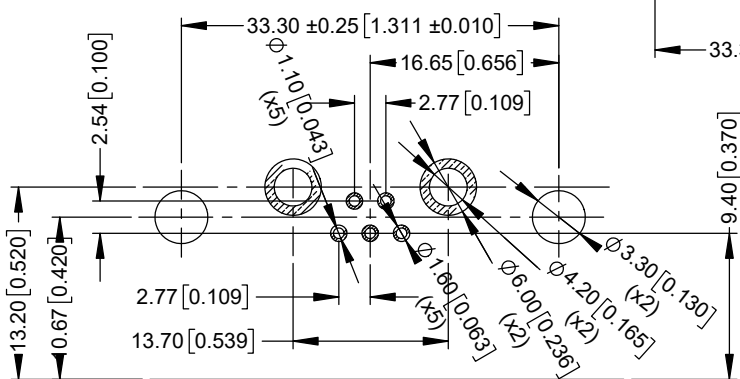
MATERIAL:

INSULATOR: PBT UL94 V-0, BLACK
 SHELL: STEEL, Ni PLATED
 CONTACTS: COPPER ALLOY, FULL GOLD FLASH

GENERAL:

OPERATING TEMPERATURE: -55°C ~ 125°C
 PROCESS TEMP.: 230°C

RECOMMENDED PCB LAYOUT
RECOMMENDED PCB THICKNESS 1.6 MAX



PCB EDGE

THESE DRAWINGS AND SPECIFICATIONS ARE THE PROPERTY OF MH CONNECTORS AND SHALL NOT BE REPRODUCED, COPIED OR USED AS THE BASIS FOR THE MANUFACTURE OR SALE OF APPARATUS WITHOUT WRITTEN PERMISSION.

DRAWN	E.P	DATE	02-05-23
APPROVED	S.R	DATE	02-05-23
SCALE	NA	SHEET OF	1 OF 1
DRAWING No		REV:	1
MHCDR7W2P4			



THIS SERIES FULLY CONFORMS TO THE EUROPEAN UNION DIRECTIVES 2015/863/EU AND 2011/65/EU FOR RoHS COMPLIANCY.



**MH CONNECTORS ,
DIVISION OF EDAC**