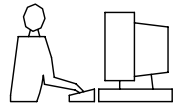


THIS IS A C.A.D. GENERATED DRAWING  
DO NOT MAKE MANUAL REVISIONS TO MASTER.

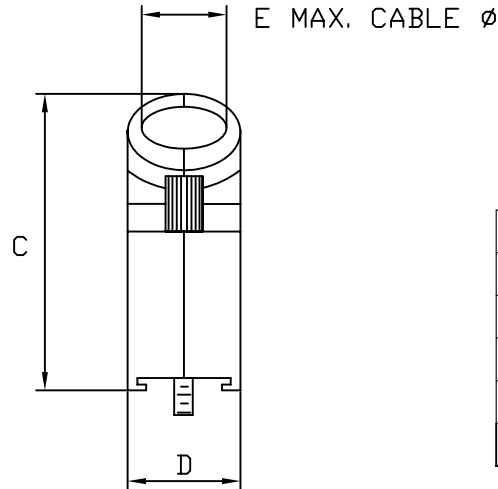
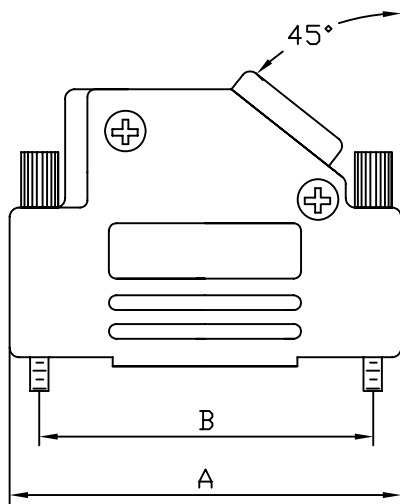


\* UNLESS OTHERWISE SPECIFIED TOLERANCES  
ON DECIMAL IS:

**BACKSHELL KIT INCLUDES:**

- (2)BACKSHELL HALVES
- (2)4-40 THUMBSCREWS
- (2)HOUSING SCREWS
- (1)SET OF COMPRESSION INSERTS-(9 POSITION~37 POSITION)  
DIAMETERS:4mm(.157"),5mm(.197"),7mm(.276"),9mm(.351")
- (1)SET OF COMPRESSION INSERTS-(50 POSITION)  
DIAMETERS:11mm(.433"),12.5mm(.492"),14mm(.551"),15mm(.591")

NOTE: 9 POSITION HAS ONLY 1 THUMBSCREW  
(OPPOSITE CABLE ENTRY)



DIMENSIONS(mm/in)					
SIZE	A $\pm 1.0$ ( $\pm 0.04$ )	B $\pm 0.25$ ( $\pm 0.01$ )	C $\pm 1.5$ ( $\pm 0.06$ )	D $\pm 0.5$ ( $\pm 0.02$ )	E
9	31.0	24.99	36.3	14.5	13.0
	1.22	0.984	1.43	0.57	0.51
15	39.5	33.32	40.3	14.5	13.0
	1.56	1.312	1.59	0.57	0.51
25	53.2	47.04	40.3	14.5	13.0
	2.09	1.852	1.59	0.57	0.51
37	69.7	63.50	40.3	14.5	13.0
	2.74	2.500	1.59	0.57	0.51
50	67.4	61.11	44.9	17.4	17.0
	2.65	2.406	1.77	0.69	0.67

**ORDERING INFORMATON:**

SIZE	P/N - KITTED	PRODUCT CODE
9-WAY	6560-0106-11	MHD45ZK-09-K
15-WAY	6560-0106-12	MHD45ZK-15-K
25-WAY	6560-0106-13	MHD45ZK-25-K
37-WAY	6560-0106-14	MHD45ZK-37-K
50-WAY	6560-0106-15	MHD45ZK-50-K

SIZE	P/N - BULK	PRODUCT CODE
9-WAY	6561-0106-11	MHD45ZK-09
15-WAY	6561-0106-12	MHD45ZK-15
25-WAY	6561-0106-13	MHD45ZK-25
37-WAY	6561-0106-14	MHD45ZK-37
50-WAY	6561-0106-15	MHD45ZK-50

MATERIAL: DIE CAST ZINC ALLOY  
NICKEL PLATED 2um min  
4-40 THUMBSCREWS:STEEL-Zn PLATED  
HOOD SCREWS:STEEL-Zn PLATED  
COMPRESSION INSERTS:ABS UL RECOGNIZED  
OPERATING TEMP:-40°C TO+120°C

THESE DRAWINGS AND SPECIFICATIONS ARE THE  
PROPERTY OF MH CONNECTORS LTD. AND SHALL NOT  
BE REPRODUCED, COPIED OR USED AS THE BASIS FOR  
THE MANUFACTURE OR SALE OF APPARATUS WITHOUT  
WRITTEN PERMISSION.

DRAWN Johnny	DATE 06-07-13
APPROVED	DATE



THIS SERIES FULLY CONFORMS TO THE  
EUROPEAN UNION DIRECTIVES 2002/95/EC  
AND 2002/96/EC FOR RoHS COMPLIANCY.



**MH CONNECTORS LTD.**

SCALE	SHEET OF 1 OF 1	REV: 5
DRAWING No MHD45ZK SERIES		