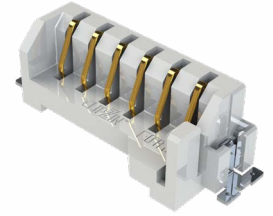


Clipzin™ SMT Card Edge Connectors 0.100" (2.54mm) Pitch

Features:

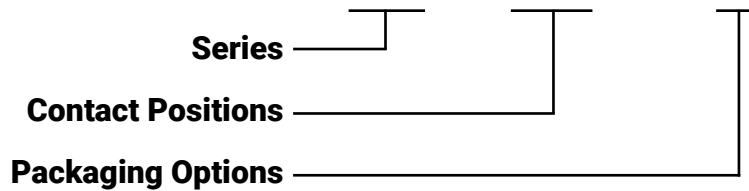
- Available in 6, 8, 17 and 20-way
- Semi-permanent way to mount one PCB on another
- No tools or soldering required, sub-boards clip-in either manually or automatically with a 'pick and place' machine
- 2.54mm pitch spacing
- Suitable for surface mount soldering
- Reliable and consistent connection between contacts and castellated edge of board
- Quick mating and unmating process
- RoHS Compliant



Specifications:

Insulator Material	LCP + 30GF, UL 94V-0		
Terminal Material	Phosphor Bronze		
Terminal Plating	Contact Area: Gold Flash	Solder Tail Area: Tin Plating	All Over Nickel Under Plating
Current Rating	1A Max / Contact		
Voltage Rating	5V DC / Contact		
Standard Operating Temperature	-40°C to +125°C		
Reflow Soldering Temperature	+260°C, 10 seconds max		
Insertion / De-insertation Cycles	50 (Optional up to 500)		
RoHS	Yes		
Type	SMT		

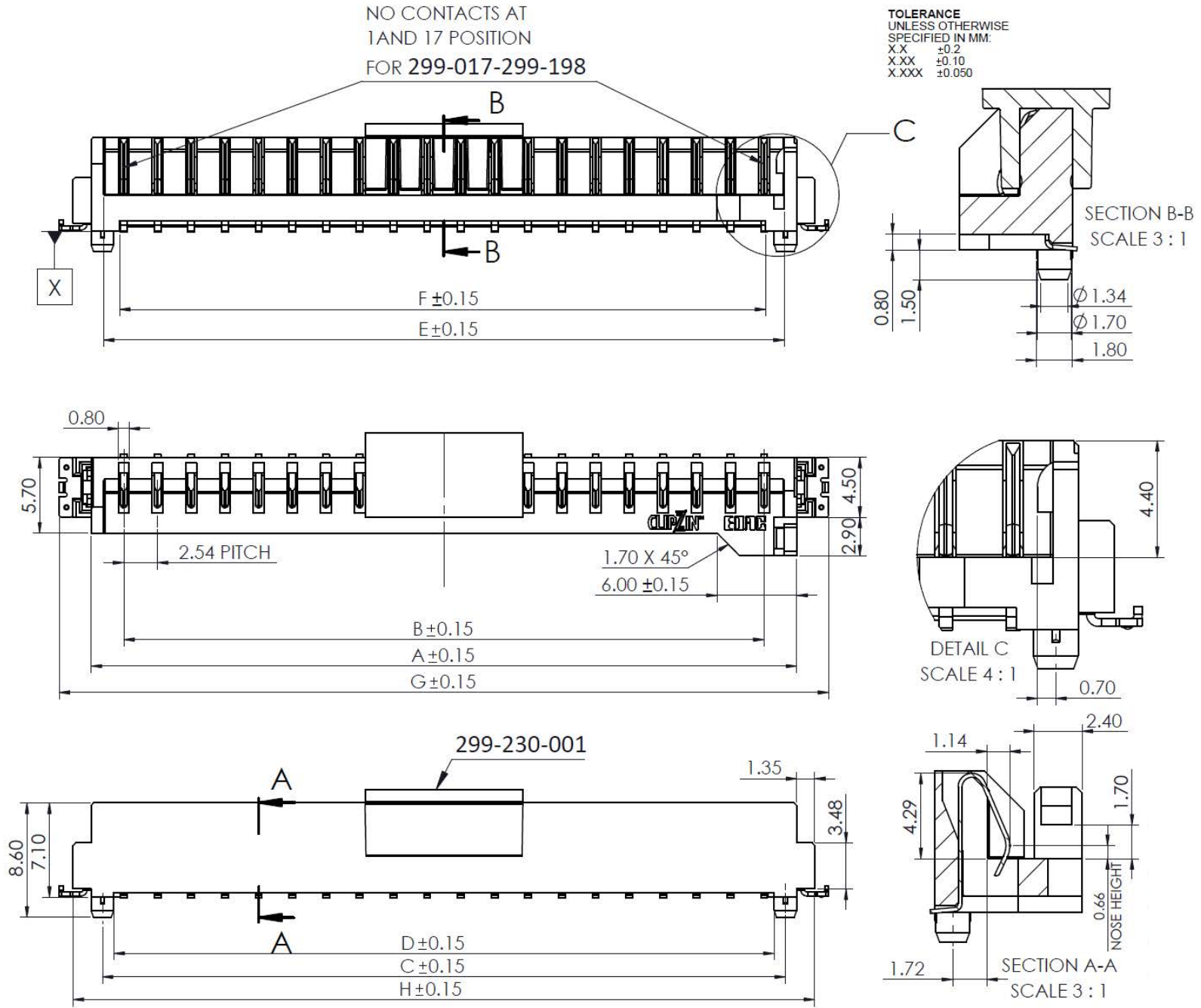
Example Part Number 299-0XX-299D198



Series:	Description:
299	Clipzin™ SMT Card Edge Connector
Total Number of Contacts:	Description:
XX	06, 08, 17 or 20
Packaging Options	Description:
D	Paired Connectors
T	Tape & Reel

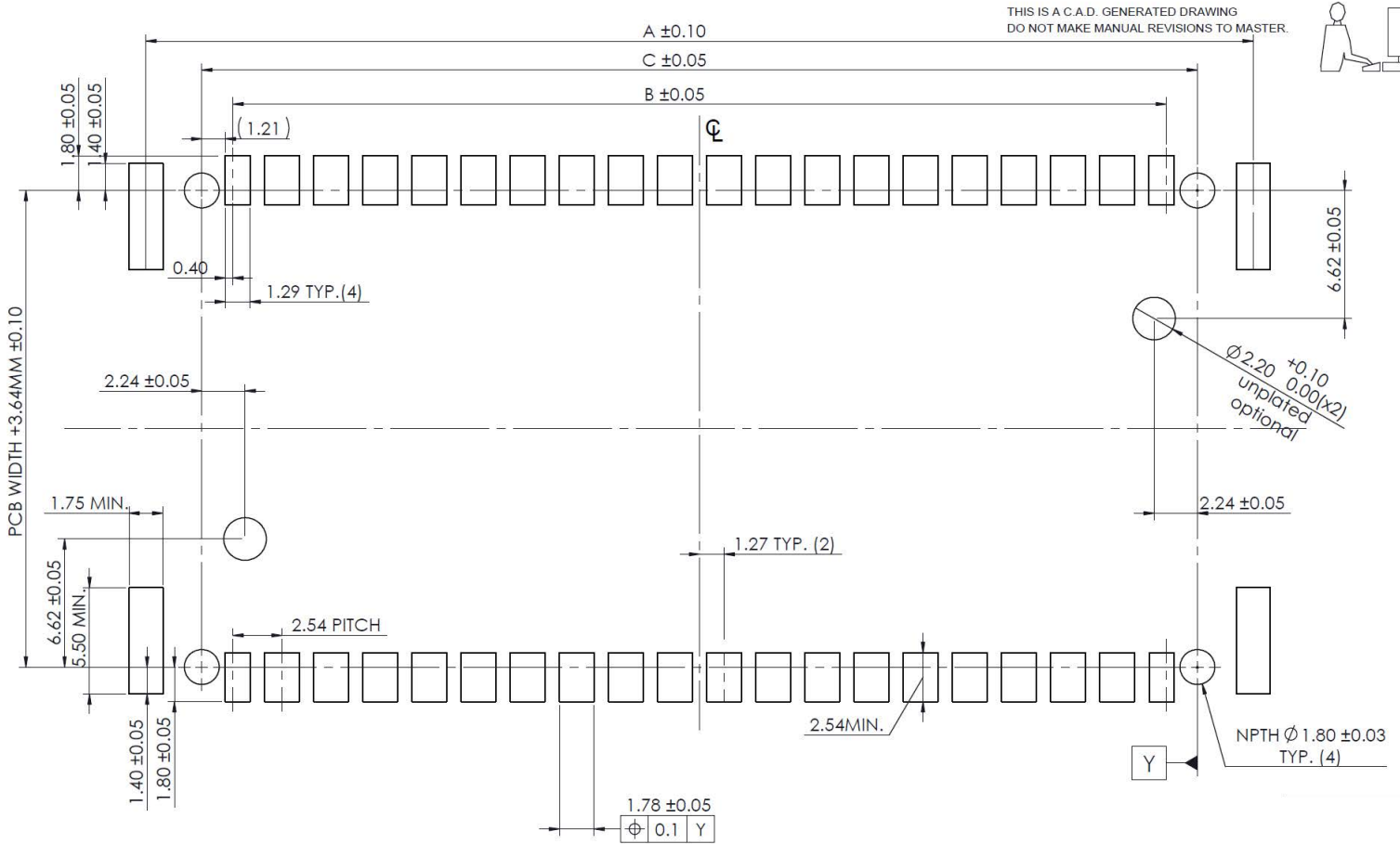
Tape & Reel Part No.	QTY / REEL
299-006-299T198	500 pcs
299-008-299T198	500 pcs
299-017-299T198	400 pcs
299-020-299T198	400 pcs

Clipzin™ SMT Card Edge Connectors 0.100" (2.54mm) Pitch



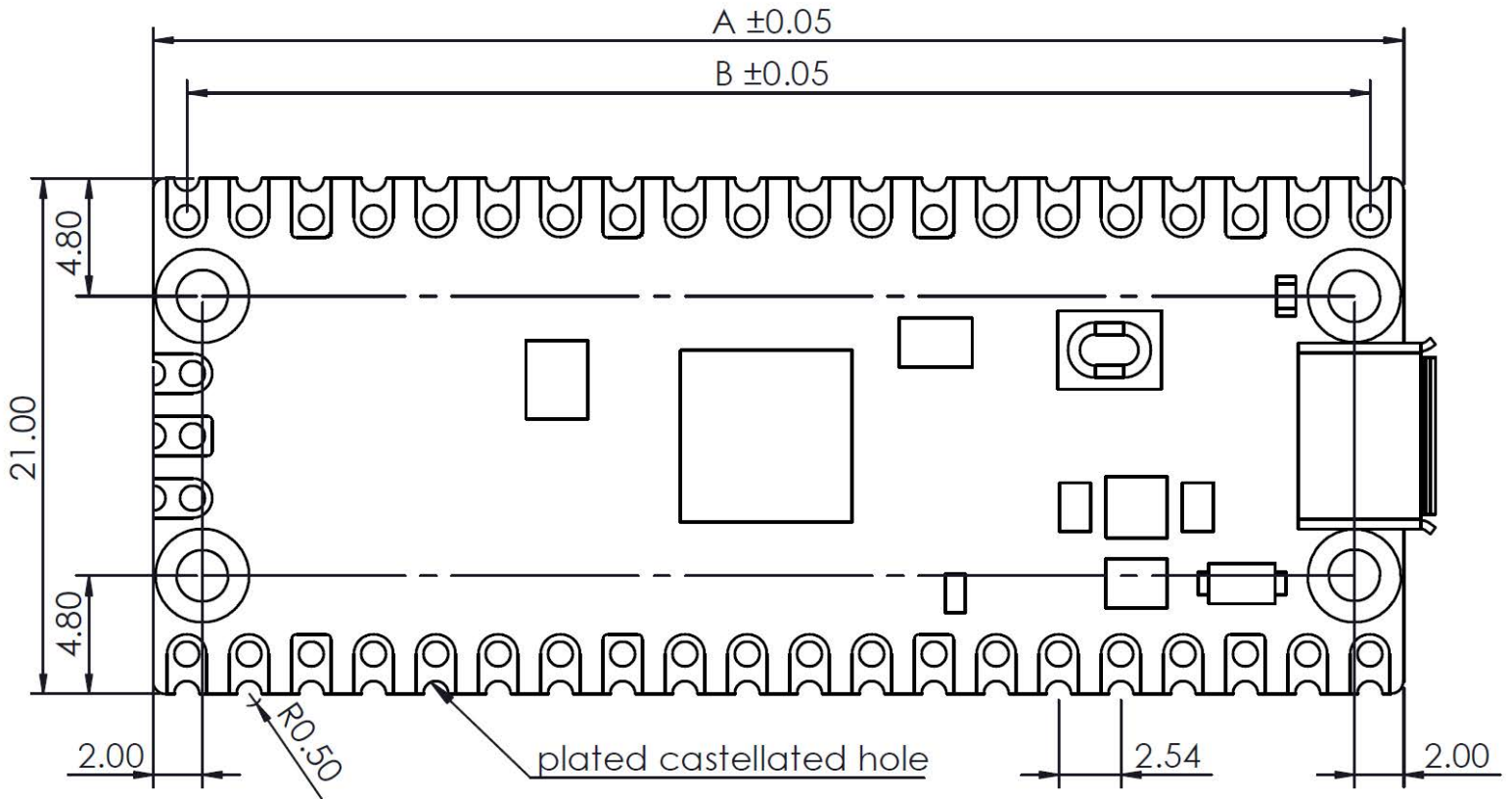
	"A"	"B"	"C"	"D"	"E"	"F"	"G"	"H"
EDAC Part Number	mm	mm	mm	mm	mm	mm	mm	mm
299-006-299-198	17.64	12.70	15.92	14.20	15.74	13.14	22.44	20.34
299-008-299-198	22.72	17.78	21.00	19.28	20.82	18.22	27.52	25.42
299-017-299-198	45.58	40.64	43.86	42.14	43.68	41.08	50.38	48.28
299-020-299-198	53.20	48.26	51.48	49.76	51.30	48.70	58.00	55.90

Recommended PCB Layout



	"A"	"B"	"C"
EDAC Part Number	mm	mm	mm
299-006-299-198	21.69	12.70	15.92
299-008-299-198	26.77	17.78	21.00
299-017-299-198	45.58	40.64	43.86
299-020-299-198	57.25	48.26	51.48

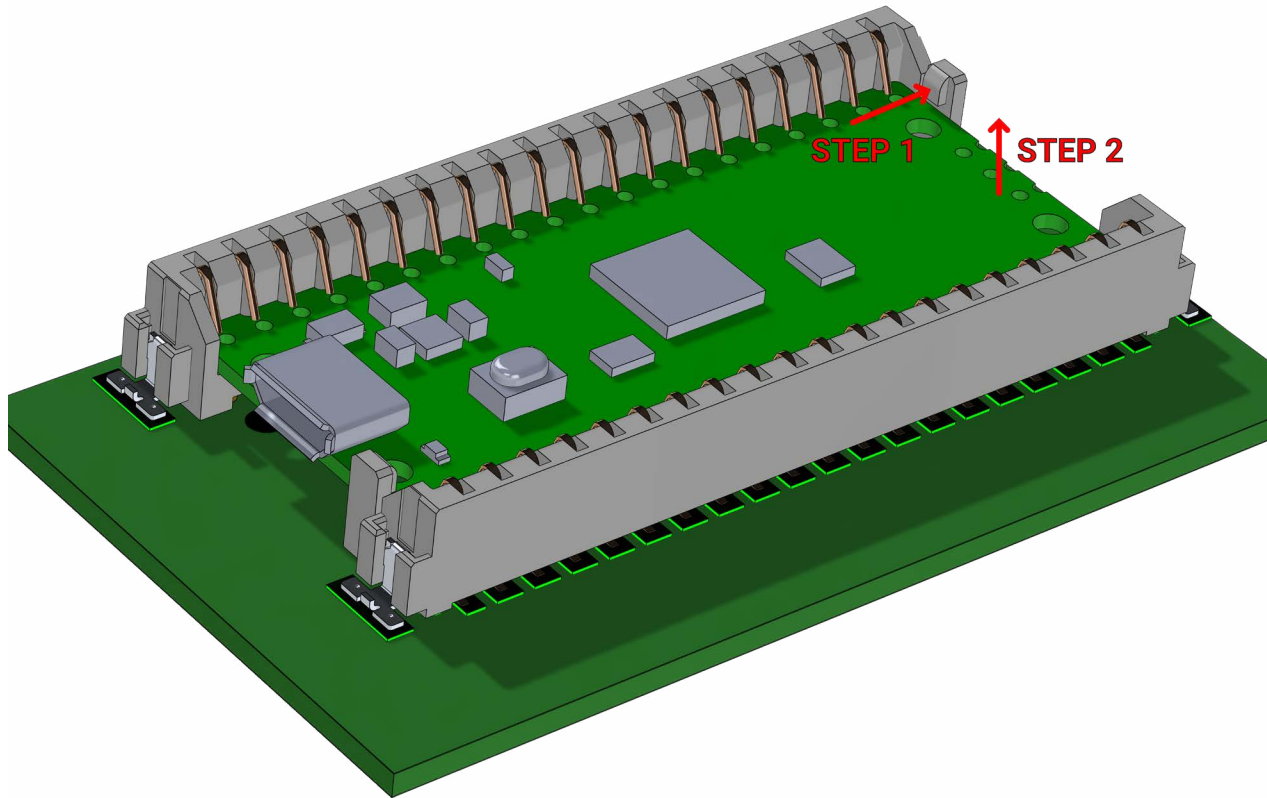
Microboard Controller Reference



	"A"	"B"
EDAC Part Number	mm	mm
299-006-299-198	15.44	12.70
299-008-299-198	20.52	17.78
299-017-299-198	43.38	40.64
299-020-299-198	51.00	48.26

*** Note: The Raspberry Pi® Pico® and Arduino Nano boards are compatible with the 20 and 17 positions, respectively.

PCB Removal Instructions



1. Gently push the locking clip outwards until there's just enough space to remove the PCB

2. Lift PCB