

## LED Spot Lamp, High power, 3W

TLL-GU10F3W-061

### Features:

- Spot Lamp High Power, GU10 base
- Product Number : TLL-GU10F3W-061
- Led quantity : 3w \* 1pcs
- Voltage : 12/110/220v
- Color : Red/ yellow/ blue/ green/ white/ orange/ purple
- Life time : 50000 hours
- Weight : 50g/pcs



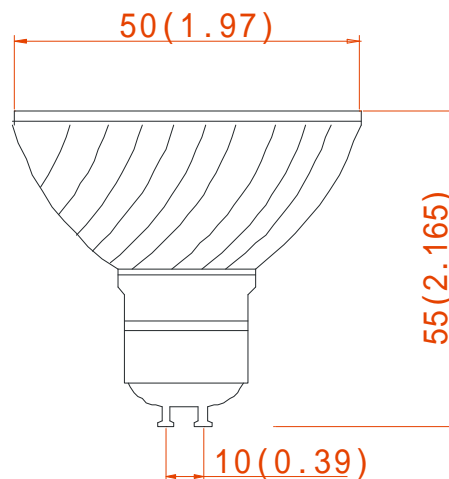
### Applications

widely used in Super Market, Hotel, Tavern, Night Club, Disco Hall, Karaoke Room, Coffee House, Bank, Meeting Room, Exhibition Hall, Exhibition Wardrobe, Show Window, Living House.

### Electrical-optical characteristics (Ta=25°C)

| Part Number       | LED#    | Color  | Voltage | Watts | Brightness (LM) | Life (H) | Base | Equal to Conventional Lamp |
|-------------------|---------|--------|---------|-------|-----------------|----------|------|----------------------------|
|                   |         |        |         | (W)   |                 |          |      |                            |
| TLL-GU10F3W-061-R | 3w*1pcs | Red    | 12      | 3     | 50              | 50000    | GU10 | 50W                        |
| TLL-GU10F3W-061-Y | 3w*1pcs | Yellow | 12      | 3     | 55              | 50000    | GU10 | 50W                        |
| TLL-GU10F3W-061-B | 3w*1pcs | Blue   | 12      | 3     | 55              | 50000    | GU10 | 50W                        |
| TLL-GU10F3W-061-G | 3w*1pcs | Green  | 12      | 3     | 80              | 50000    | GU10 | 50W                        |
| TLL-GU10F3W-061-W | 3w*1pcs | White  | 12      | 3     | 80              | 50000    | GU10 | 50W                        |

### Drawing



### Notes:

1. All dimensions are in millimeters (inches)
2. Tolerance is  $\pm 1\text{mm}(0.01\text{'})$  unless otherwise noted.
3. Specifications are subject to change without notice