

## Cylindrical Type LED lamp

BL-L542

### Features:

- Ø 5mm Cylindrical LED lamp, FLAT TOP
- Ø Ultra brightness.
- Ø Choice of various viewing angles.
- Ø Diffused, Transparent and Water clear lens are available.
- Ø IC compatible /Low current capability.
- Ø RoHs Compliance



### Electrical-optical characteristics: (Ta=25°C) (Test Condition: IF=20mA)

| Part Number | Chip               |            |                     | Lens Type | Forward Voltage(VF)<br>Unit:V |      | Luminous Intensity (lv)<br>Unit:mcd |      | Viewing Angle 2θ/2 (deg) |
|-------------|--------------------|------------|---------------------|-----------|-------------------------------|------|-------------------------------------|------|--------------------------|
|             | Emitted Color      | Material   | λ <sub>p</sub> (nm) |           | Typ                           | Max  | Min.                                | Typ. |                          |
|             |                    |            |                     |           | Water Clear                   | 80   |                                     |      |                          |
| BL-L543SRC  | Hi Red             | AlGaAs,SH  | 660                 |           | 1.85                          | 2.20 | 130                                 | 300  | 80                       |
| BL-L543LRC  | Super Red          | AlGaAs,DH  | 660                 |           | 1.85                          | 2.20 | 270                                 | 500  |                          |
| BL-L543URC  | Ultra Red          | AlGaAs,DDH | 660                 |           | 1.95                          | 2.20 | 500                                 | 800  |                          |
| BL-L543UEC  | Ultra Orange       | AlGaInP    | 630                 |           | 2.10                          | 2.50 | 260                                 | 600  |                          |
| BL-L543UYC  | Ultra Yellow       | AlGaInP    | 590                 |           | 2.10                          | 2.50 | 260                                 | 500  |                          |
| BL-L543UGC  | Ultra Green        | AlGaInP    | 574                 |           | 2.20                          | 2.50 | 120                                 | 250  |                          |
| BL-L543PGC  | Ultra Pure Green   | InGaN      | 525                 |           | 3.80                          | 4.50 | 800                                 | 2000 |                          |
| BL-L543BGC  | Ultra Bluish Green | InGaN      | 505                 |           | 3.80                          | 4.50 | 700                                 | 1800 |                          |
| BL-L543BC   | Blue               | InGaN      | 430                 |           | 3.80                          | 4.50 | 500                                 | 1000 |                          |
| BL-L543UBC  | Ultra Blue         | InGaN      | 470                 |           | 2.70                          | 4.20 | 650                                 | 1800 |                          |
| BL-L543VC   | UV                 | InGaN      | 405                 |           | 3.80                          | 4.50 | 35                                  | 80   |                          |
| BL-L543UWC  | Ultra White        | InGaN      | /                   |           | 2.70                          | 4.20 | 1000                                | 2500 |                          |

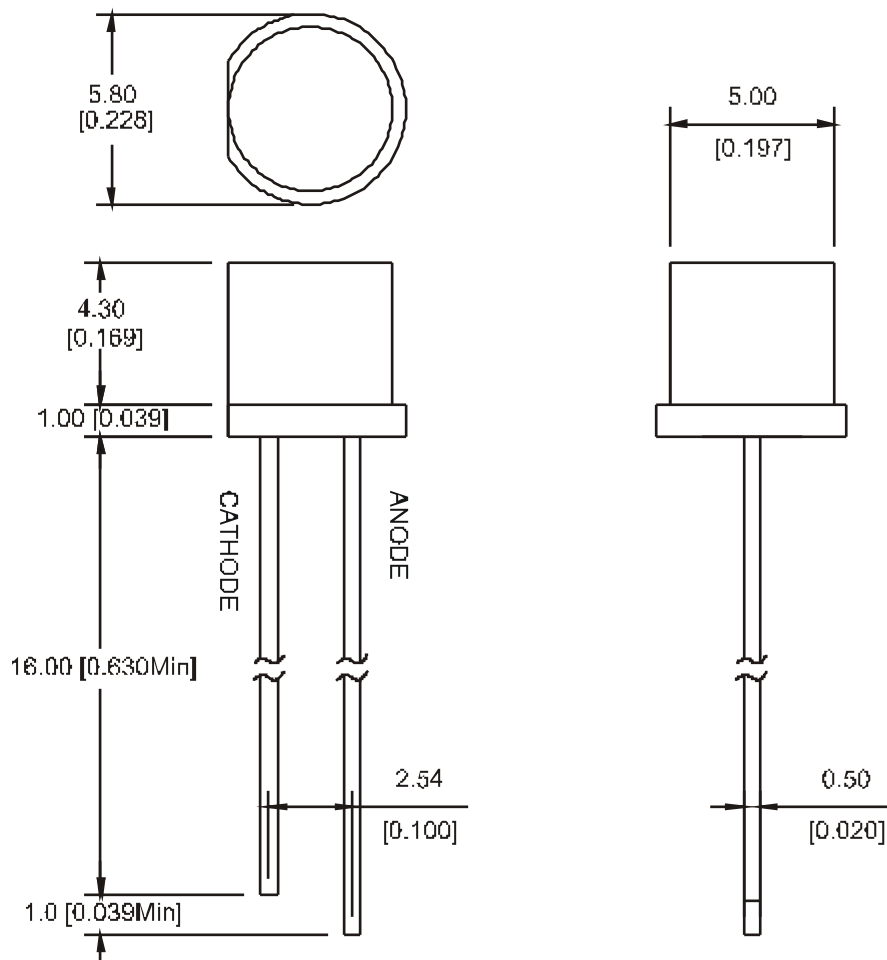
### Absolute maximum ratings (Ta=25°C)

| Parameter   | SR  | LR  | UR  | UE  | UY  | UG  | PG  | BG  | B   | UB  | UV  | W   | Unit |
|---|---|-----|-----|-----|-----|-----|-----|-----|-----|-----|-----|-----|------|
| Forward Current I <sub>F</sub>                            | 25  | 25  | 25  | 30  | 30  | 30  | 30  | 30  | 30  | 30  | 30  | 30  | mA   |
| Power Dissipation P <sub>d</sub>                          | 60  | 60  | 60  | 65  | 65  | 75  | 110 | 110 | 120 | 120 | 120 | 120 | mW   |
| Reverse Voltage V <sub>R</sub>                            | 5   | 5   | 5   | 5   | 5   | 5   | 5   | 5   | 5   | 5   | 5   | 5   | V    |
| Peak Forward Current I <sub>PF</sub><br>(Duty 1/10 @1KHZ) | 150   | 150 | 150 | 150 | 150 | 150 | 150 | 100 | 100 | 100 | 100 | 100 | mA   |
| Operation Temperature T <sub>OPR</sub>                    | -40 to +80  |     |     |     |     |     |     |     |     |     |     |     | °C   |
| Storage Temperature T <sub>STG</sub>                      | -40 to +85  |     |     |     |     |     |     |     |     |     |     |     | °C   |
| Lead Soldering Temperature T <sub>SOL</sub>               | Max.260±5°C for 3 sec Max.<br>(1.6mm from the base of the epoxy bulb) |     |     |     |     |     |     |     |     |     |     |     | °C   |

## Cylindrical Type LED lamp

BL-L542

### Package configuration & Internal circuit diagram



#### Notes:

1. All dimensions are in millimeters (inches)
2. Tolerance is  $\pm 0.25(0.01)$  unless otherwise noted.
3. Specifications are subject to change without notice.

# Cylindrical Type LED lamp

BL-L542

## Typical electrical-optical characteristics curves:



- (1) - GaAsP/GaAs 655nm/Red
- (2) - GaP 570nm/Yellow Green
- (3) - GaAsP/GaP 585nm/Yellow
- (4) - GaAsP/GaP 635nm/Orange & Hi-Eff Red
- (5) - GaP 700nm/Bright Red
- (6) - GaAlAs/GaAs 660nm/Super Red
- (8) - GaAsP/GaP 610nm/Super Red
- (9) - GaAlAs 880nm
- (10) - GaAs/GaAs & GaAlAs/GaAs 940nm
- (A) - GaN/SiC 430nm/Blue
- (B) - InGaN/SiC 470nm/Blue
- (C) - InGaN/SiC 505nm/Ultra Green
- (D) - InGaAlSiC 525nm/Ultra Green



FORWARD VOLTAGE (Vf)  
FORWARD CURRENT VS.  
FORWARD VOLTAGE



FORWARD CURRENT (mA)  
RELATIVE LUMINOUS  
INTENSITY VS. FORWARD  
CURRENT



AMBIENT TEMPERATURE Ta ( °C )  
FORWARD CURRENT VS. AMBIENT  
TEMPERATURE



AMBIENT TEMPERATURE Ta ( °C )



tp-PULSE DURATION  $\mu$ S  
(1,2,3,4,6,8,B,D,J,K)



(5)

NOTE: 25 free air temperature unless otherwise specified

Cylindrical Type LED lamp

BL-L542

Packing and weighting

