

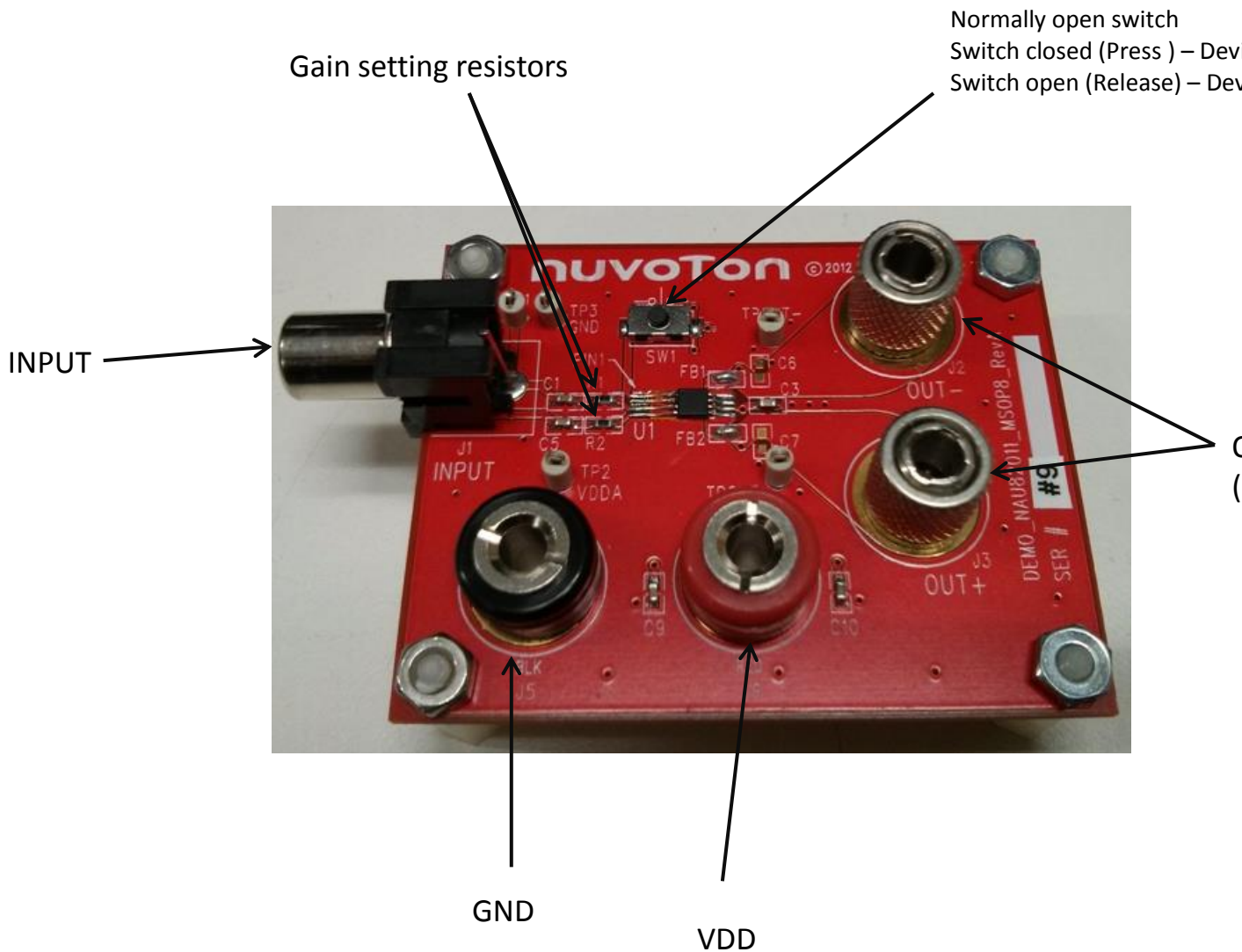


NAU82011WG Evaluation Board User Manual

1. General Description

The NAU82011WG is a mono high efficiency filter-free Class-D audio amplifier with variable gain, which is capable of driving a 4Ω load with up to 2.9 W output power. This device provides chip enable pin with extremely low standby current and fast start-up time. The ability to configure with either single-ended or differential inputs is included. The NAU82011WG has advanced features like 100dB SNR, 91% efficiency and low quiescent current. The NAU82011WG is ideal for the portable applications of battery drive.

2. EVB Set Up



Power Connection

An external DC Voltage supply with a compliance of at least 2 Amperes should be connected to VDD & GND.

Gain Setting

NAU82011WG is a variable gain amplifier. The gain can be varied by varying the external input resistors(R1). The device has an on chip feedback resistor of 300kΩ. The gain is expressed as follows

$$\text{Gain} = \frac{300 \text{ k}\Omega}{R1 \text{ k}\Omega} \left(\frac{V}{V} \right) \qquad \text{Gain (dB)} = 20 \log \frac{300 \text{ k}\Omega}{R1 \text{ k}\Omega}$$

The Evaluation board comes with 150kΩ resistors or a Gain of 6dB.

Input Connection

The default input configuration is single ended mode. If differential configuration is desired then, the 0 ohm resistor R3 needs to be removed. If Audio Precision Analyzer is used as input source, Unbalanced inputs are to be selected for single ended operation or Balanced inputs for differential mode.

Output Connection

An 8 ohm 68uH load should be connected on the output channel (J3- J2). Connect the outputs to the inputs of the Audio Precision Analyzer (Balanced) via the AP0025 Aux Filter.

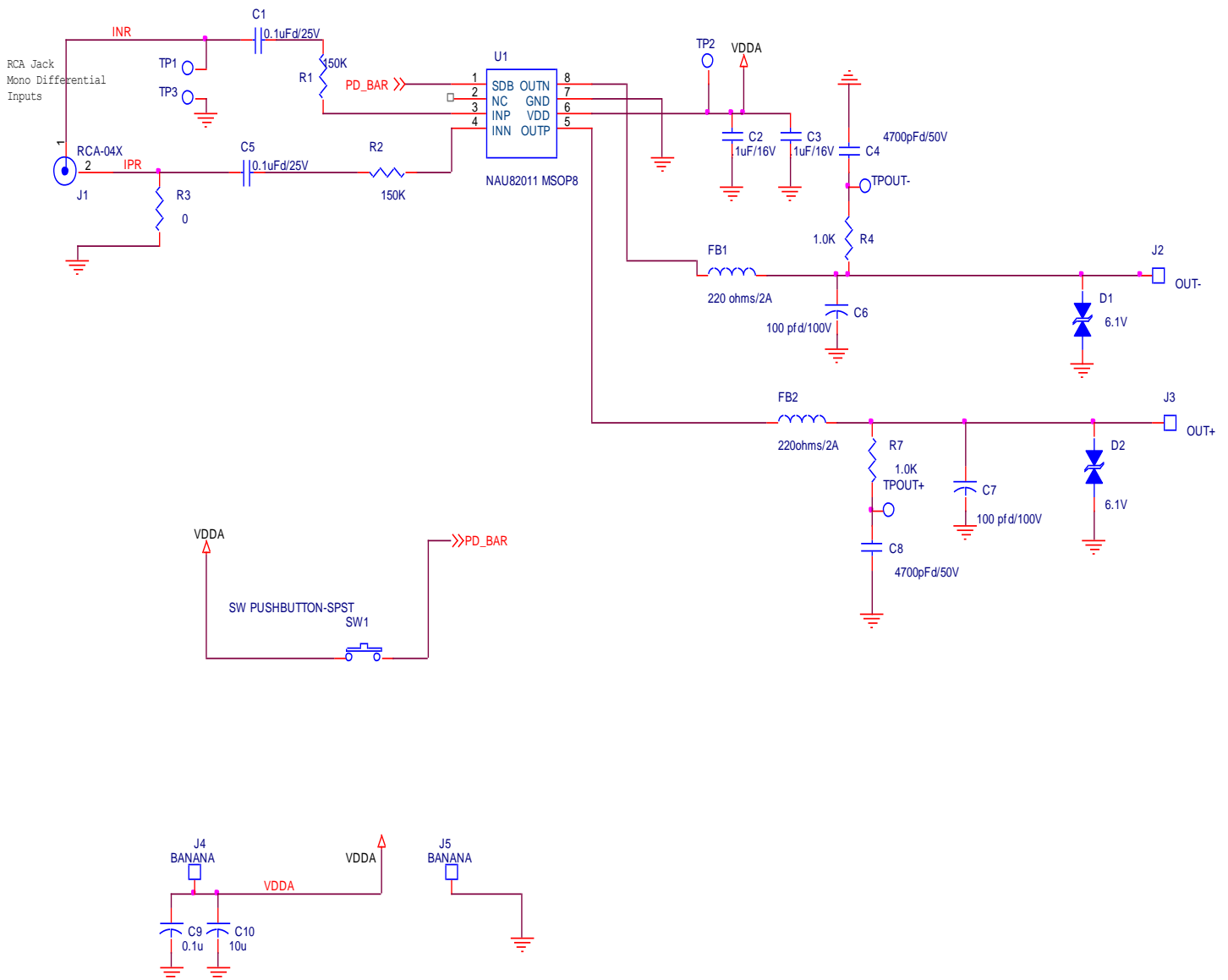
Power Up

For optimum performance the board should be power up with in switch closed state. Once the power is applied switch must be released to power up the board. Then, the input signal can be applied.

Important note:

When using a power supply, it is recommended to use a 330µF capacitor across the power pins to suppress any supply glitches, as a safety measure. When a battery is used, the capacitor is not required. In normal applications too, the capacitor is not required.

3. Schematic:



1 Revision History

VERSION	DATE	PAGE/ CHAP.	DESCRIPTION
V.05	Oct. 8, 2013	-	First Release.
V1.0	March, 2016	-	Updated content

Important Notice

Nuvoton products are not designed, intended, authorized or warranted for use as components in systems or equipment intended for surgical implantation, atomic energy control instruments, airplane or spaceship instruments, transportation instruments, traffic signal instruments, combustion control instruments, or for other applications intended to support or sustain life. Furthermore, Nuvoton products are not intended for applications wherein failure of Nuvoton products could result or lead to a situation where personal injury, death or severe property or environmental damage could occur.

Nuvoton customers using or selling these products for use in such applications do so at their own risk and agree to fully indemnify Nuvoton for any damages resulting from such improper use or sales.

Please note that all data and specifications are subject to change without notice. All the trademarks of products and companies mentioned in this datasheet belong to their respective owners.