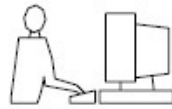
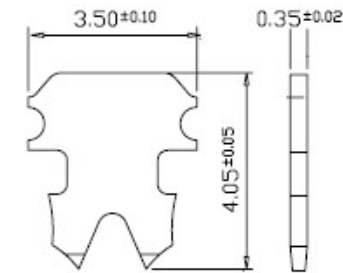
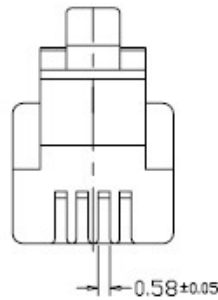
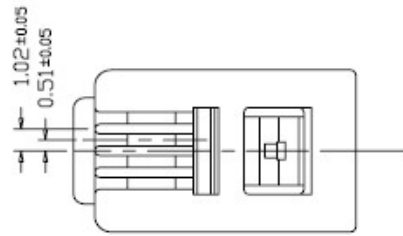


THIS IS A C.A.D. GENERATED DRAWING  
DO NOT MAKE MANUAL REVISIONS TO MASTER.

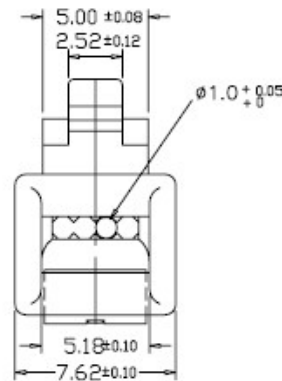
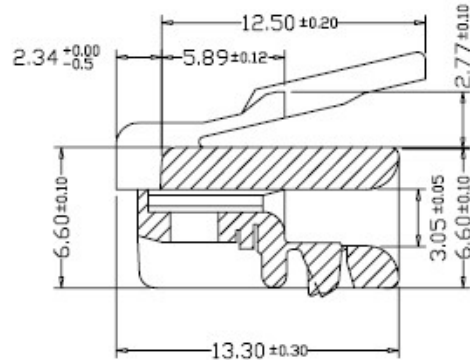


\* UNLESS OTHERWISE SPECIFIED TOLERANCES  
ON DECIMAL IS:

UNIT: MM



2 PRONGS FOR STRANDED WIRE



REMARK:

- 1.AVAILABLE FOR 24 OR 26 AWG WIRE.
- 2.HOUSING MATERIAL: POLYCARBONATE UL 94V-0.
- 3.CONTACT TYPE: 2 PRONGS FOR STRANDED WIRE.
- 4.GOLD PLATING: 50u"(≥1.27um).
- 5.CONTACT MATERIAL: PHOSPHOR BRONZE.

THESE DRAWINGS AND SPECIFICATIONS ARE THE  
PROPERTY OF MH CONNECTORS LTD, AND SHALL NOT  
BE REPRODUCED, COPIED OR USED AS THE BASIS FOR  
THE MANUFACTURE OR SALE OF APPARATUS WITHOUT  
WRITTEN PERMISSION.

DRAWN	DATE
JOHNNY	06-29-13
APPROVED	DATE

SCALE	SHEET OF	REV;
	1 OF 1	2.0

DRAWING No  
MHRJ224P4CF



THIS SERIES FULLY CONFORMS TO THE  
EUROPEAN UNION DIRECTIVES 2002/95/EC  
AND 2002/96/EC FOR RoHS COMPLIANCY.



MH CONNECTORS LTD.