

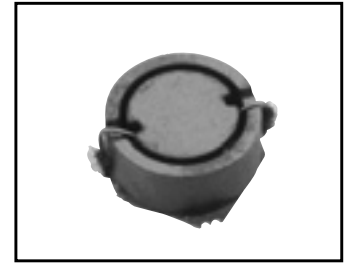
SMALL FOOT PRINT AND LOW PROFILE POWER INDUCTORS [CXAD120Z · 180Z Series]

Features

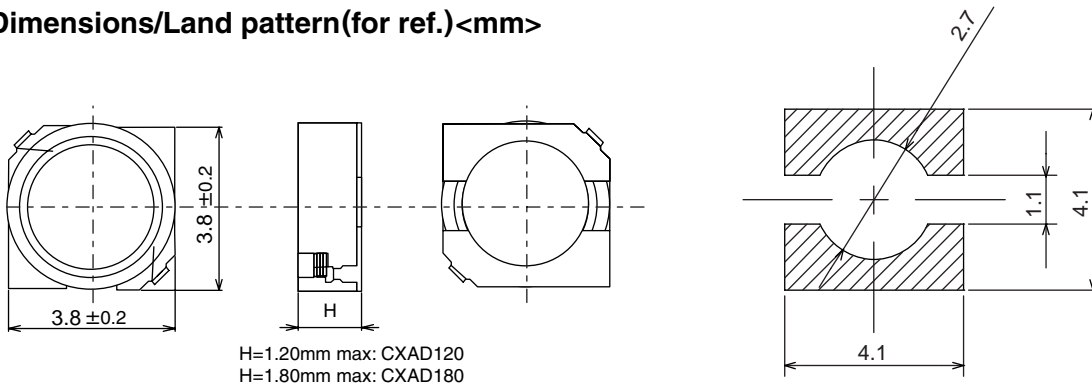
- Low profile less than 1.2mm/1.8mm
- Low noise and leakage flux by closed magnetic path
- RoHS Compliant

Applications

- DC/DC converters for
- Small sized LCDs
 - Cellular phones, and PDAs
 - Digital video/still cameras



Dimensions/Land pattern(for ref.)<mm>



Part number list · Specifications

(Typical)

Series	Part number	Inductance L(μH) (1)	DC resistance Rdc(Ω) (2)	Rated current Idc1/ Idc2(A) (3)	Operating temperature range Ta() (4)
CXAD120Z	CXAD120-2R2Z	2.2±20%	0.12	1.35	-25~100
	CXAD120-3R3Z	3.3±20%	0.18	1.05	
	CXAD120-4R7Z	4.7±20%	0.22	0.90	
	CXAD120-6R8Z	6.8±20%	0.27	0.80	
	CXAD120-100Z	10±20%	0.43	0.70	
	CXAD120-150Z	15±20%	0.72	0.55	
	CXAD120-220Z	22±20%	1.10	0.45	
	CXAD120-330Z	33±20%	1.80	0.35	
CXAD120-470Z	47±20%	2.10	0.30		
CXAD180Z	CXAD180-2R2Z	2.2±20%	0.060	1.90/1.90	-25~100
	CXAD180-3R3Z	3.3±20%	0.076	1.40/1.60	
	CXAD180-4R7Z	4.7±20%	0.108	1.20/1.30	
	CXAD180-6R8Z	6.8±20%	0.160	0.09/1.10	
	CXAD180-100Z	10±20%	0.210	0.80/0.95	
	CXAD180-150Z	15±20%	0.310	0.65/0.75	
	CXAD180-220Z	22±20%	0.420	0.50/0.65	
	CXAD180-330Z	33±20%	0.630	0.40/0.55	
CXAD180-470Z	47±20%	0.930	0.32/0.45		

Note : (1)Ta=25、Idc=0A (2)Ta=25 (3)CXAD120 : Inductance change ratio | L/L1 10% or T 40 CXAD180 : Idc1 : Inductance change ratio | L/L1 10% Idc2:Temperature rise T 40 (4)Including temperature rise. Custom specifications are available.