



# SERIES 661/662/663/664: D-SUB CONNECTOR

Plug and Receptacle Combination, Dual Port, Right Angle Connectors

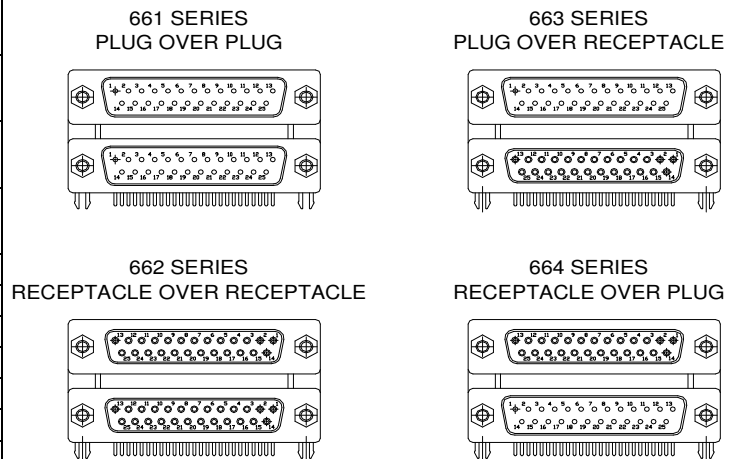


- Two Contact Rows per connector with Right Angle Bend
- .109"(2.77mm) Contact Spacing x .112"(2.82mm) Row Spacing
- Plug and Receptacle in 9, 15, 25 or 37 Contact Sizes
- Pin and Socket Contact Mating Design with P.C. Tail Termination
- Metal Shell Provides EMI/RFI Shielding, Plug Shell Indents provide Grounding and Additional Mating Retention
- Grounding Features include Grounding Bracket and Two Prong Boardlocks for Exceptional Retention to P.C. Board
- Mounting Options for Panel Mount or Connector Mating include Through Hole, Threaded Inserts and Threaded Standoffs
- D-Shaped Connector Mating Outline provides Polarization
- Design based on Requirements of MIL-C-24038, EIA RS-232 and RS-449



## Specifications:

Insulator Material	Thermoplastic Polyester, UL 94V-0, Chemical Resistant, Color: Black
Contact Material	Plug (Pins): Brass Receptacle (Socket): Brass or Phosphor Bronze
Contact Plating	Selective Gold (See Ordering Code) over Nickel for the Mating Area, Tin Plating for Tail Area
Ferrite Specs:	20dB MIN @30 MHz, 30dB MIN @50 MHz, and 50dB MIN @100 MHz
Shell Material	Nickel Plated Steel
Current Rating	5A Per Contact
Contact Resistance	10 Milliohms MAX
Insulation Resistance	5000 Megohms MIN
Dielectric Voltage	1000V AC rms at Sea Level
Operating Temp.	-55°C To +105°C
Mating and Unmating Force	1oz To 10oz (0.28N To 2.78N) Per Contact Position



## Ordering Code:

# 661-025-264-213

### SERIES:

- 661: PLUG OVER PLUG
- 662: RECEPTACLE OVER RECEPTACLE
- 663: PLUG OVER RECEPTACLE
- 664: RECEPTACLE OVER PLUG

### NO. OF CONTACTS:

- 009 - 9 CONTACTS    025 - 25 CONTACTS
- 015 - 15 CONTACTS    037 - 37 CONTACTS

### CONTACT FINISH CODE:

- 2 - GOLD FLASH PLATING
- 3 - 15 MICROINCHES OF GOLD PLATING
- 6 - 30 MICROINCHES OF GOLD PLATING

### CONTACT CODE:

- 64 - DUAL PORT RIGHT ANGLE BEND CONTACT

### MOUNTING OPTIONS:

- 1 - Ø.125"(Ø3.18MM) THROUGH HOLE
- 2 - M3 HEX THREADED STANDOFF
- 3 - M3 THREADED INSERT
- 4 - 4-40 UNC THREADED INSERT
- 5 - 4-40 UNC HEX THREADED STANDOFF

### GROUNDING FEATURE:

- 1 - Ø.120"(Ø3.05MM) THROUGH HOLE
- 3 - TWO PRONG BOARDLOCK FOR Ø.120"(Ø3.05MM) HOLE
- 5 - 4-40 UNC THREADED MOUNTING HOLE
- 7 - REAR ONLY TWO PRONG BOARDLOCKS
- 9 - M3 THREADED MOUNTING HOLE

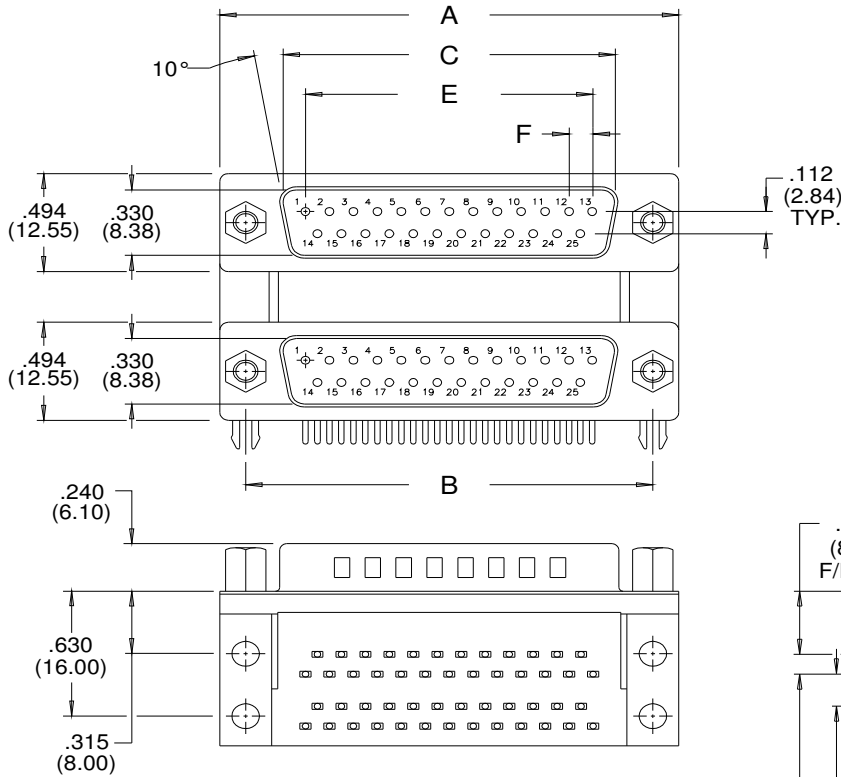
### CENTER TO CENTER CONNECTOR VERTICAL SPACING

- 2 - .625"(15.88MM)
- 5 - .750"(19.05MM)
- 8 - .900"(22.86MM)

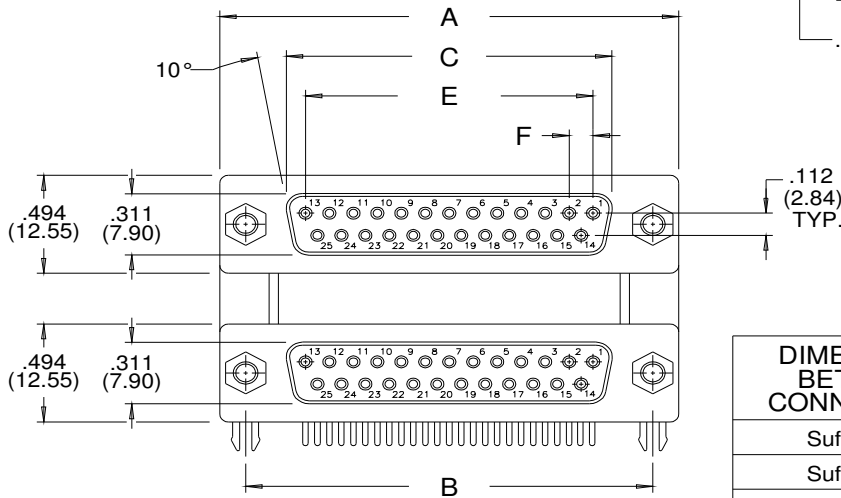


# SERIES 661/662/663/664: D-SUB CONNECTOR

Plug and Receptacle Combination, Dual Port, Right Angle Connectors



RECEPTACLE/RECEPTACLE 662 SERIES



DIMENSIONS BETWEEN CONNECTORS	J		K	
	Inch	(mm)	Inch	(mm)
Suffix -2XX	.625	(15.88)	1.119	(28.42)
Suffix -5XX	.750	(19.05)	1.244	(31.60)
Suffix -8XX	.900	(22.86)	1.394	(35.41)

NUMBER OF CONTACTS	A		B		C PLUG		C RECEPTACLE		E		F	
	Inch	(mm)	Inch	(mm)	Inch	(mm)	Inch	(mm)	Inch	(mm)	Inch	(mm)
9	1.214	(30.84)	.984	(24.99)	.667	(16.92)	.640	(16.26)	.432	(10.97)	.108	(2.74)
15	1.545	(39.24)	1.312	(33.32)	.994	(25.25)	.967	(24.56)	.756	(19.20)	.108	(2.74)
25	2.088	(53.04)	1.852	(47.04)	1.534	(38.96)	1.508	(38.30)	1.304	(33.12)	.109	(2.76)
37	2.730	(69.34)	2.500	(63.50)	2.182	(55.42)	2.156	(54.76)	1.956	(49.68)	.109	(2.76)