

SMD LED LAMP, BI-COLOR
BL-LS1210xx
Features:

- ∅ 3.2mmx2.7mm SMD, 1.1mm THICKNESS
- ∅ Bi-color type
- ∅ Compatible with automatic placement equipment
- ∅ WIDE VIEWING ANGLE.
- ∅ IDEAL FOR BACKLIGHT AND INDICATOR.
- ∅ PACKAGE: 3KPCS/REEL
- ∅ RoHs Compliance


Electrical-optical characteristics: (Ta=25°C) (Test Condition: IF=20mA)

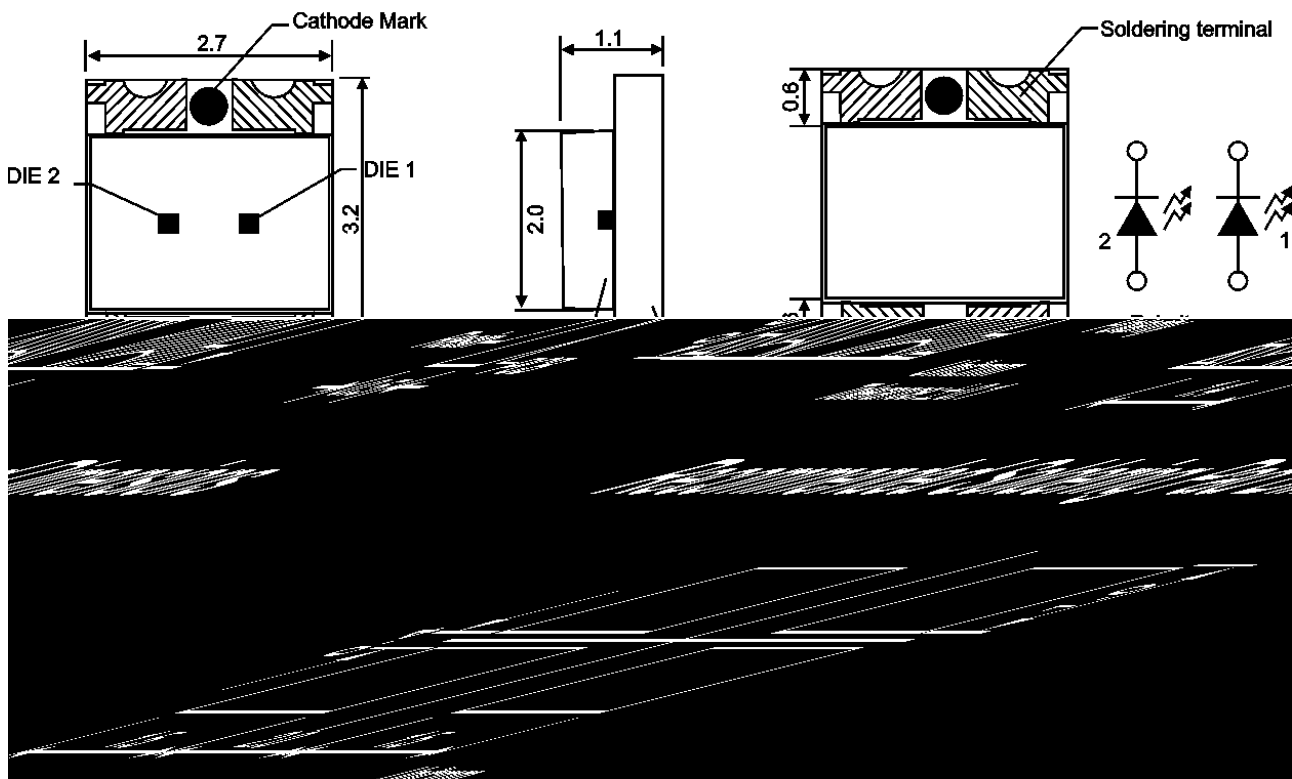
| Part Number | Chip | | | Lens Type | Forward Voltage(VF) Unit:V | | Luminous Intensity (Iv) Unit:mcd | | Viewing Angle 2θ/2 (deg) |
|----------------|---------------|----------|-----------|-----------|-------------------------------|-----|-------------------------------------|------|--------------------------|
| | Emitted Color | Material | λp f (nm) | | Typ | Max | Min. | Typ. | |
| | | | | | BL-LS1210SGC | Red | GaAlAs | 660 | |
| | Green | GaP | 568 | 2.30 | 2.70 | 6 | 15 | | |
| BL-LS1210EGC | Orange | GaAsP | 640 | 2.10 | 2.60 | 4 | 8 | | |
| | Green | GaP | 568 | 2.30 | 2.70 | 6 | 15 | | |
| BL-LS1210UYUGC | Ultra Yellow | AlInGaP | 593 | 2.10 | 2.60 | 20 | 70 | | |
| | Ultra Green | AlInGaP | 575 | 2.20 | 2.70 | 15 | 45 | | |
| BL-LS1210UEUGC | Ultra Orange | AlInGaP | 645 | 2.10 | 2.60 | 22 | 80 | | |
| | Ultra Green | AlInGaP | 575 | 2.20 | 2.70 | 15 | 45 | | |

Absolute maximum ratings (Ta=25°C)

| Parameter | Rating | Unit |
|---|---|------|
| Forward Current I _F | 30 | mA |
| Power Dissipation P _d | 78 | mW |
| Reverse Voltage V _R | 5 | V |
| Peak Forward Current I _{PF} (Duty 1/10 @1KHZ) | 100 | mA |
| Operation Temperature T _{OPR} | -30 to +80 | °C |
| Storage Temperature T _{STG} | -40 to +85 | °C |
| Lead Soldering Temperature T _{SOL} | Max.260±5°C for 3 sec Max. (1.6mm from the base of the epoxy bulb) | °C |

Package configuration & Internal circuit diagram

BL-LS1210 Series Package Outline Drawing



Notes:

1. All dimensions are in millimeters (inches)
2. Tolerance is $\pm 0.25(0.01)$ unless otherwise noted.
3. Specifications are subject to change without notice.

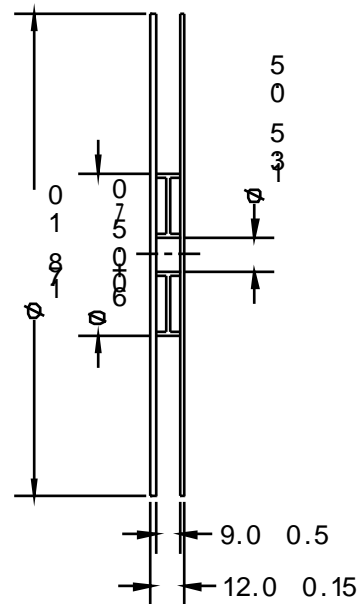
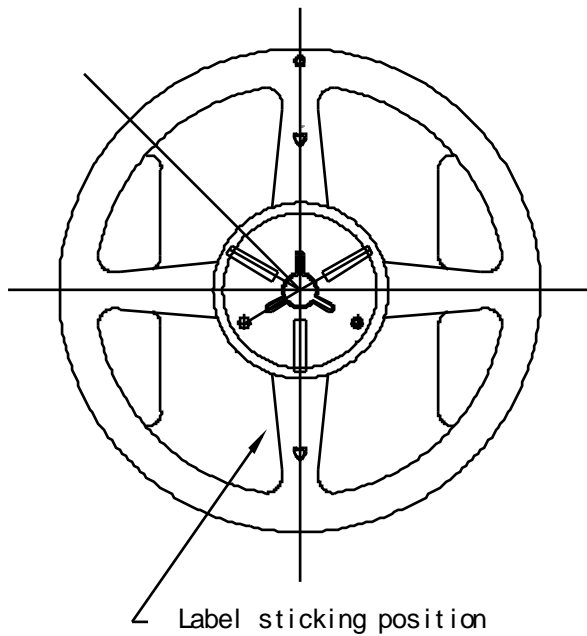
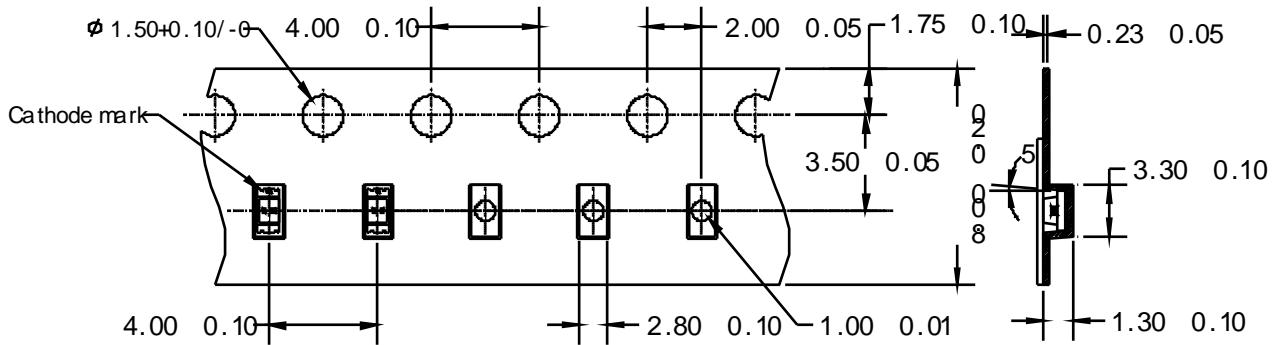
SMD LED LAMP, BI-COLOR

BL-LS1210xx

Tape Specifications

Unit: mm

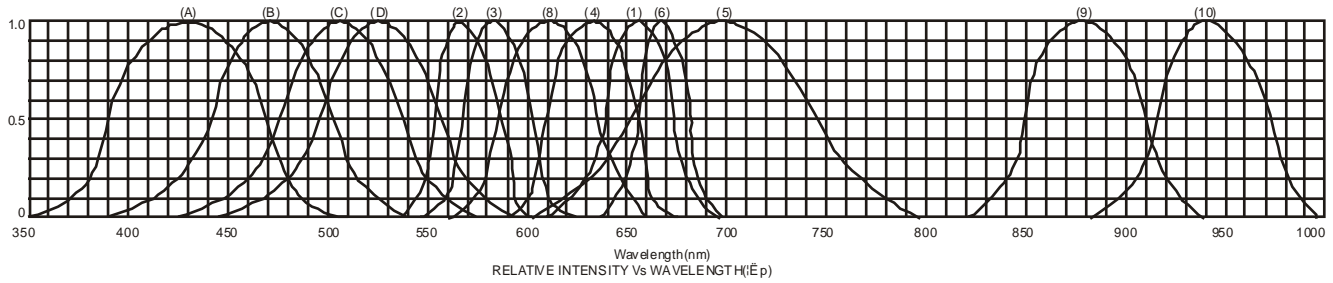
Tolerance: 0.1



SMD LED LAMP, BI-COLOR

BL-LS1210xx

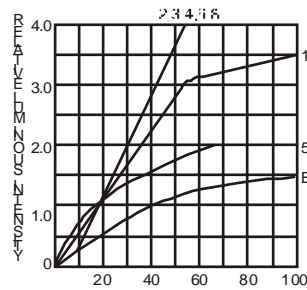
Typical electrical-optical characteristics curves:



- (1) - GaAsP/GaAs 655nm/Red
- (2) - GaP 570nm/Yellow Green
- (3) - GaAsP/GaP 585nm/Yellow
- (4) - GaAsP/GaP 635nm/Orange & Hi-Eff Red
- (5) - GaP 700nm/Bright Red
- (6) - GaAlAs/GaAs 660nm/Super Red
- (8) - GaAsP/GaP 610nm/Super Red
- (9) - GaAlAs 880nm
- (10) - GaAs/GaAs & GaAlAs/GaAs 940nm
- (A) - GaN/SiC 430nm/Blue
- (B) - InGaN/SiC 470nm/Blue
- (C) - InGaN/SiC 505nm/Ultra Green
- (D) - InGaAlSiC 525nm/Ultra Green



FORWARD VOLTAGE (Vf)
FORWARD CURRENT VS.
FORWARD VOLTAGE



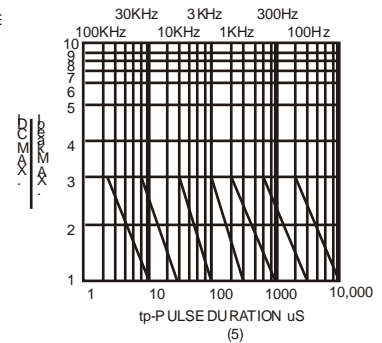
FORWARD CURRENT (mA)
RELATIVE LUMINOUS
INTENSITY VS. FORWARD
CURRENT



AMBIENT TEMPERATURE Ta ()
FORWARD CURRENT VS. AMBIENT
TEMPERATURE



AMBIENT TEMPERATURE Ta ()



NOTE:25 free air temperature unless otherwise specified

SMD LED LAMP, BI-COLOR

BL-LS1210xx

Packing and weighting

