

SMD LED LAMP

BL-LS1204XX

Features:

- Ø 3.2mmx1.0mm SMD, 1.5mm THICKNESS
- Ø Bi-color type
- Ø Compatible with automatic placement equipment
- Ø WIDE VIEWING ANGLE.
- Ø IDEAL FOR BACKLIGHT AND INDICATOR.
- Ø PACKAGE: 3KPCS/REEL
- Ø RoHs Compliance



Electrical-optical characteristics: (Ta=25°C) (Test Condition: IF=20mA)

Part Number	Chip			Lens Type	Forward Voltage(VF) Unit:V		Luminous Intensity (Iv) Unit:mcd		Viewing Angle 2θ/2 (deg)
	Emitted Color	Material	λp f (nm)		Typ	Max	Min.	Typ.	
					BL-LS1204EGC	Orange	GaAsP	640	
	Green	GaP	568	2.30	2.70	6	15		
BL-LS1204UYUGC	Ultra Yellow	AlInGaP	593	2.10	2.60	20	60		
	Ultra Green	AlInGaP	575	2.20	2.70	15	50		
BL-LS1204UEUGC	Ultra Orange	AlInGaP	645	2.10	2.60	20	60		
	Ultra Green	AlInGaP	575	2.20	2.70	15	50		

Absolute maximum ratings (Ta=25°C)

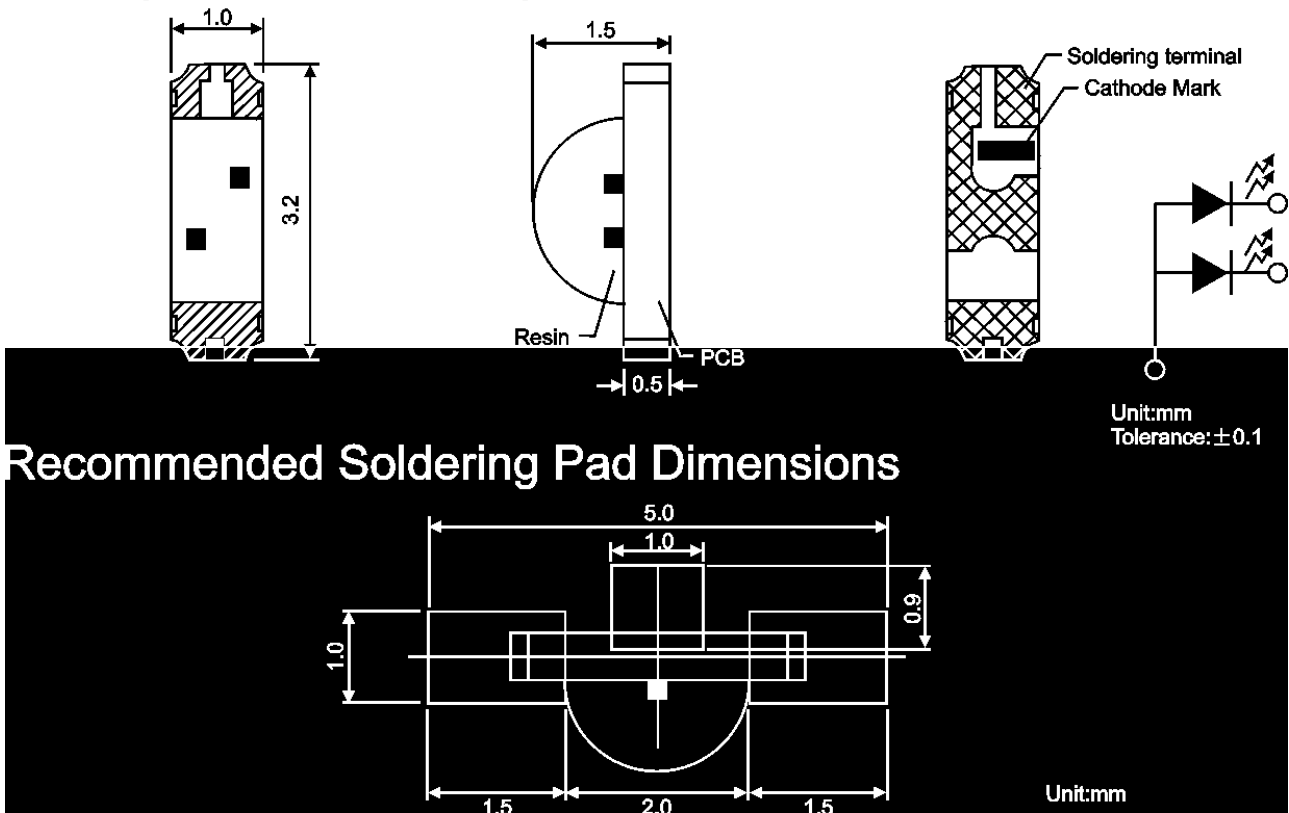
Parameter	Rating	Unit
Forward Current I _F	30	mA
Power Dissipation P _d	78	mW
Reverse Voltage V _R	5	V
Peak Forward Current I _{PF} (Duty 1/10 @1KHZ)	100	mA
Operation Temperature T _{OPR}	-30 to +80	°C
Storage Temperature T _{STG}	-40 to +85	°C
Lead Soldering Temperature T _{SOL}	Max.260±5°C for 3 sec Max. (1.6mm from the base of the epoxy bulb)	°C

SMD LED LAMP

BL-LS1204XX

Package configuration & Internal circuit diagram

**BL-LS1204XX Series
Package Outline Drawing**



Notes:

1. All dimensions are in millimeters (inches)
2. Tolerance is $\pm 0.25(0.01)$ unless otherwise noted.
3. Specifications are subject to change without notice.

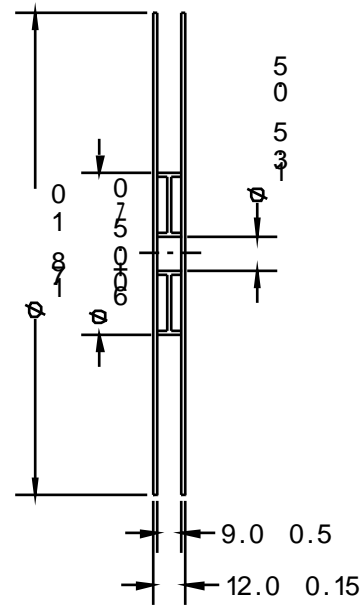
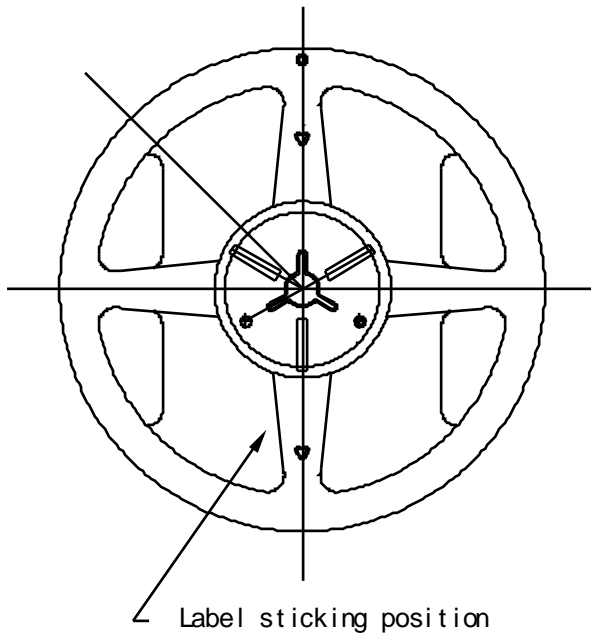
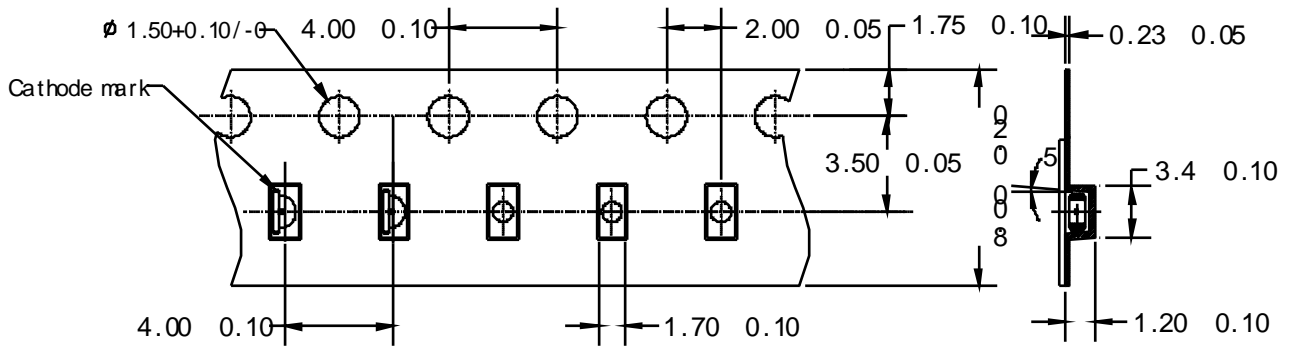
SMD LED LAMP

BL-LS1204XX

Tape Specifications

Unit: mm

Tolerance: 0.1



SMD LED LAMP

BL-LS1204XX

Typical electrical-optical characteristics curves:



- (1) - GaAsP/GaAs 655nm/Red
- (2) - GaP 570nm/Yellow Green
- (3) - GaAsP/GaP 585nm/Yellow
- (4) - GaAsP/GaP 635nm/Orange & Hi-Eff Red
- (5) - GaP 700nm/Bright Red
- (6) - GaAlAs/GaAs 660nm/Super Red
- (8) - GaAsP/GaP 610nm/Super Red
- (9) - GaAlAs 880nm
- (10) - GaAs/GaAs & GaAlAs/GaAs 940nm
- (A) - GaN/SiC 430nm/Blue
- (B) - InGaN/SiC 470nm/Blue
- (C) - InGaN/SiC 505nm/Ultra Green
- (D) - InGaAlSiC 525nm/Ultra Green



FORWARD VOLTAGE (Vf)
FORWARD CURRENT VS.
FORWARD VOLTAGE



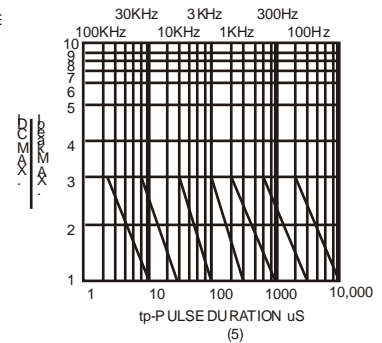
FORWARD CURRENT (mA)
RELATIVE LUMINOUS
INTENSITY VS. FORWARD
CURRENT



AMBIENT TEMPERATURE Ta()
FORWARD CURRENT VS. AMBIENT
TEMPERATURE



AMBIENT TEMPERATURE Ta()



NOTE:25 free air temperature unless otherwise specified

SMD LED LAMP

BL-LS1204XX

Packing and weighting

