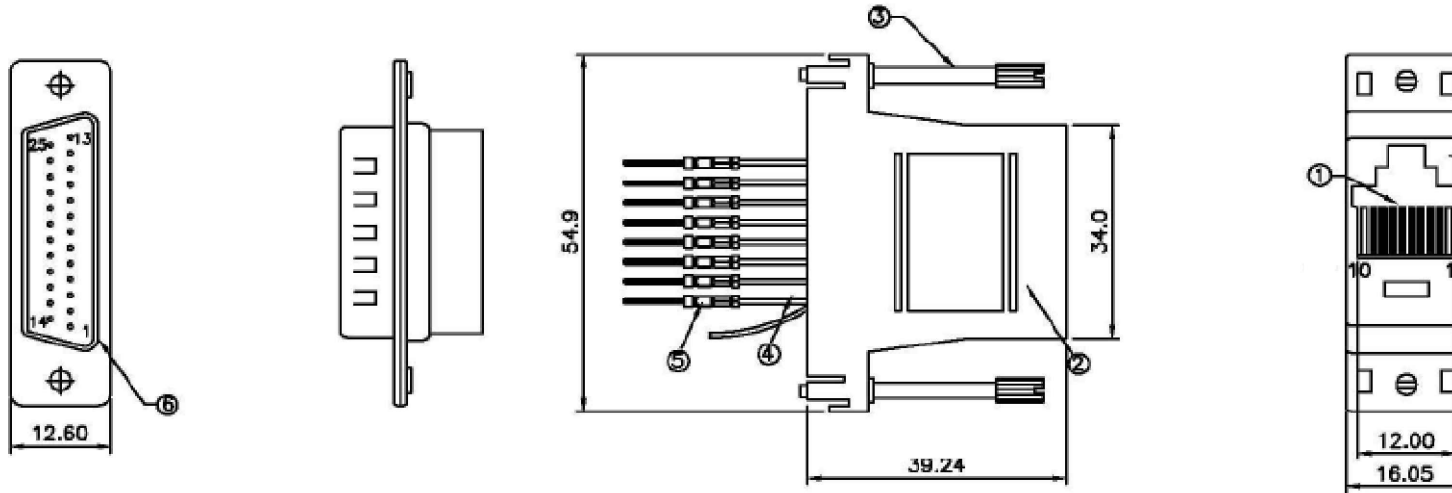


THIS IS A C.A.D. GENERATED DRAWING
DO NOT MAKE MANUAL REVISIONS TO MASTER.



* UNLESS OTHERWISE SPECIFIED TOLERANCES
ON DECIMAL IS: ANGLE $\pm 1^\circ$
UNIT: MM .X ± 0.35
.XX ± 0.25

ISSUE NUMBER	
ORIGINAL	①
UPDATED FRAME	⑤
Iven Ou 2023/03/21	



※NO. ④ Have:

POSITION	COLOUR
1	Black
2	Yellow
3	Orange
4	Red
5	Green
6	Brown
7	Grey
8	Blue
9	Ground Wire

ROHS Compliant

NO.	Name	Description	Q'ty
①	Conn	Modular Jack 10P8C Female,ABS,Shielded, G/F Contact	1
②	Hood	ABS,Nickel Plated	1
③	Screw	#4-40UNC Thumb Screw Nickel Plated	2
④*	Wire	UL1061,26AWG,9 Stand Lead Wire	8
⑤	Terminal	D-SUB Male Terminal,Copper,Gold Plated	8
⑥	Conn	Crimp Wire D-SUB Male 25pin Black Insulator	1

THESE DRAWINGS AND SPECIFICATIONS ARE THE PROPERTY OF MH CONNECTORS AND SHALL NOT BE REPRODUCED, COPIED OR USED AS THE BASIS FOR THE MANUFACTURE OR SALE OF APPARATUS WITHOUT WRITTEN PERMISSION.

DRAWN	DATE
Johnny	2013/07/03
APPROVED	DATE



THIS SERIES FULLY CONFORMS TO THE EUROPEAN UNION DIRECTIVES 2015/863/EU AND 2011/65/EU FOR RoHS COMPLIANCE.



MH CONNECTORS,
DIVISION OF EDAC

SCALE	SHEET OF	REV:
	1 OF 1	5.0
DRAWING No		
MHDA25-PMJ8-M-K-RC		