

Features:

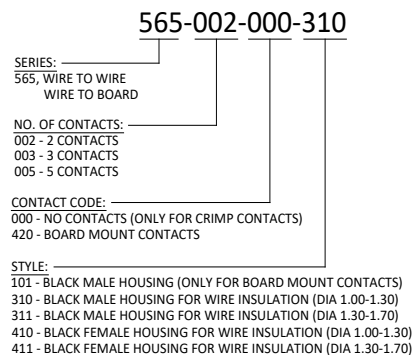
- 2.5mm pitch, rated current: 3A max
- Fully waterproof solution
- Available in wire to wire and wire to board options
- Seals preassembled into housing; no external sealing required
- Available in 2, 3, or 5 positions
- True crimp and poke solution
- Waterproofing cap available to cover unused positions
- Internal polarization to prevent mismatching
- Available with wire already installed
- Waterproof Grade: IP67 Certified



Specifications:

No. of Positions	2, 3, 5
Pitch	2.5 mm
Rated Voltage	250 V
Rated Current	3 amps maximum
Dielectric Withstanding Voltage	1000 V AC (rms)
Contact Resistance	15 milliohms maximum
Insulation Resistance	1000 megaohms minimum/DC 500 V
Operating Temperature	-40°C to +105°C
PCB Thickness	1.6 mm

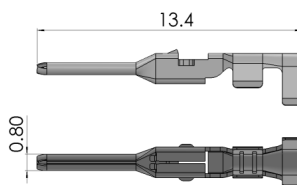
Ordering Code:



Crimp Contact:

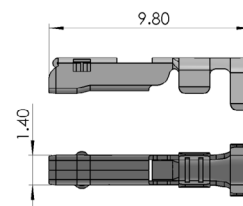
Male Contact (Pin)			
Part No	AWG#	Ins. Dia.	Pcs/Reel
565-290-731	20-22	Max. Ø1.7	8,000
565-290-711	22-28	Max. Ø1.6	8,000

**Crimp Contacts are also available in strips of 60pcs. Contact EDAC for more information.



Female Contact (Socket)			
Part No	AWG#	Ins. Dia.	Pcs/Reel
565-290-741	20-22	Max. Ø1.7	8,000
565-290-721	22-28	Max. Ø1.6	10,000

**Wire seals, housing seals and retainers are pre-assembled in the connector.

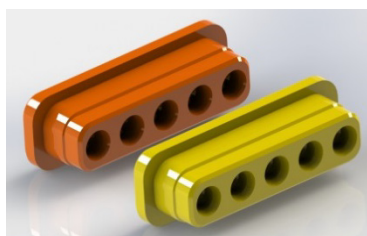


Materials:

Crimp & Poke	Housing	PBT, UL 94V-0
	Contact	Phosphor Bronze
PCB Header	Housing	PBT with Glass, UL 94V-0
	Contact	Brass
Contact Plating		Tin Plating
Wire & Housing Seals		Silicone Rubber
Waterproofing Cap		PBT, UL 94V-0

Rear Gasket (Wire Seal):

Applicable Contact:	Wire O.D.:	Color:
565-290-711 565-290-721	Ø1.00 to Ø1.30"	Yellow
565-290-731 565-290-741	Ø1.30 to Ø1.70"	Orange



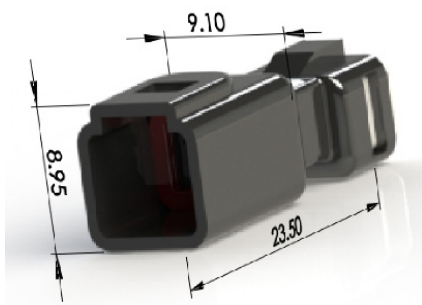
Waterproofing Cap:

Part No.:
565-200-100

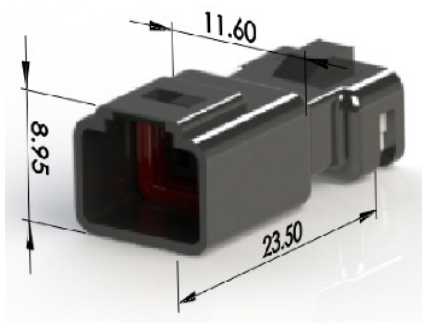


Male Housing:

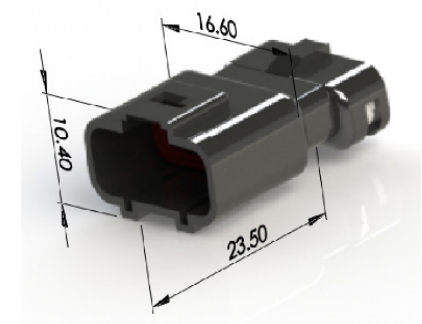
565-002-000-XXX



565-003-000-XXX

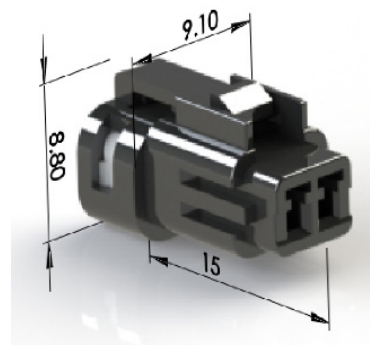


565-005-000-XXX

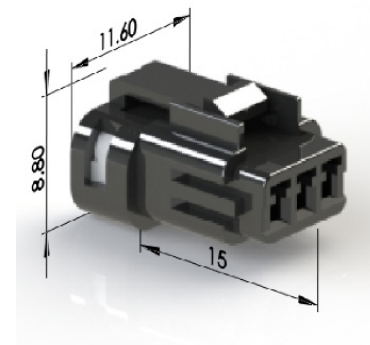


Female Housing:

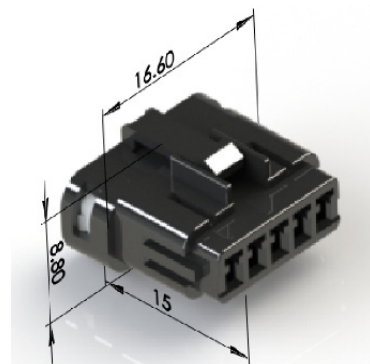
565-002-000-XXX



565-003-000-XXX

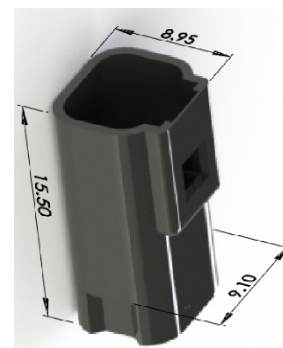


565-005-000-XXX

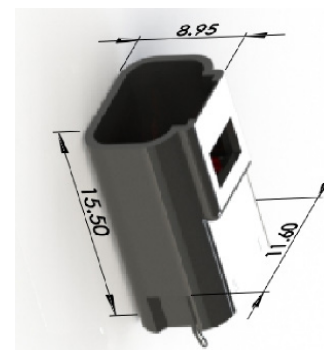


PCB Header:

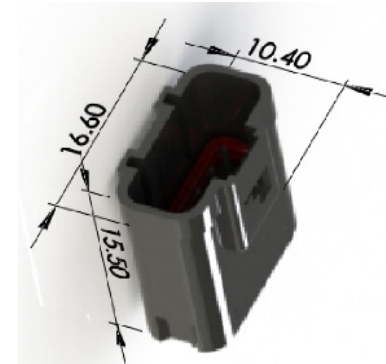
565-002-420-XXX



565-003-420-XXX



565-005-420-XXX



Male Housing:

Ø Wire Insulation:	Housing Color:	XXX:
Ø1.00 to Ø1.30"	Black	310
Ø1.30 to Ø1.70"	Black	311

Female Housing:

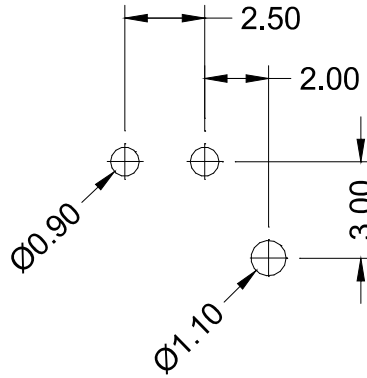
Ø Wire Insulation:	Housing Color:	XXX:
Ø1.00 to Ø1.30"	Black	410
Ø1.30 to Ø1.70"	Black	411

PCB Header:

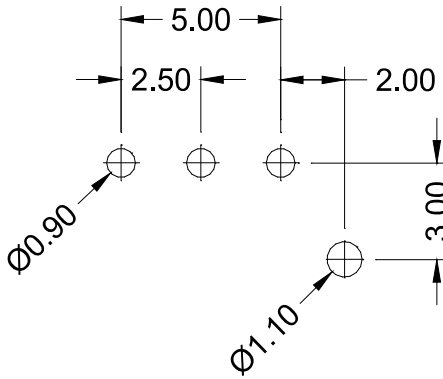
Housing Color	XXX
Black	101

Recommended PCB Layout

560 SERIES - 2P



560 SERIES - 3P



560 SERIES - 5P

